



by Chromcraft Revington International

ASSEMBLY INSTRUCTIONS

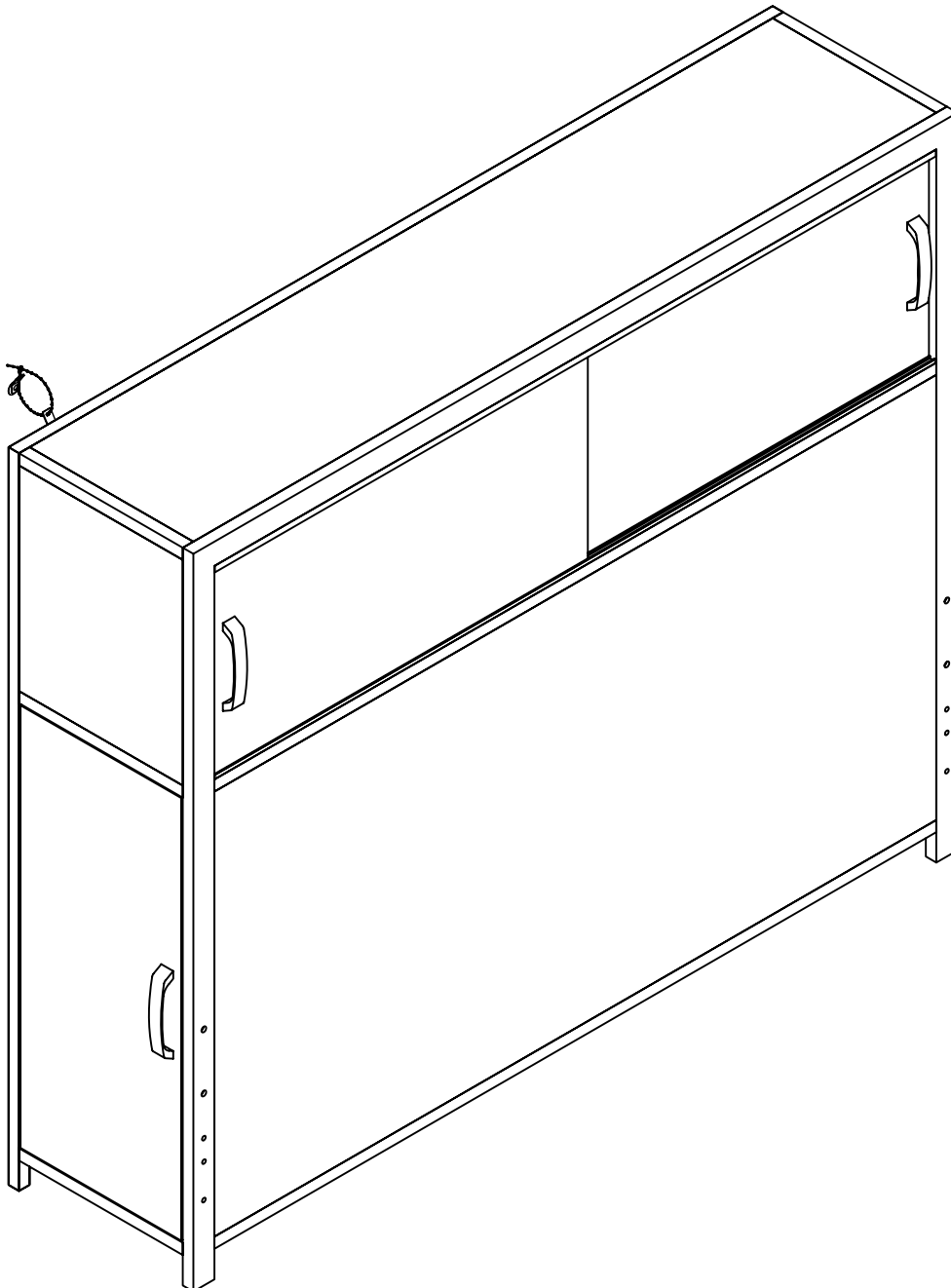
MODEL NO. 1011750

Made in China

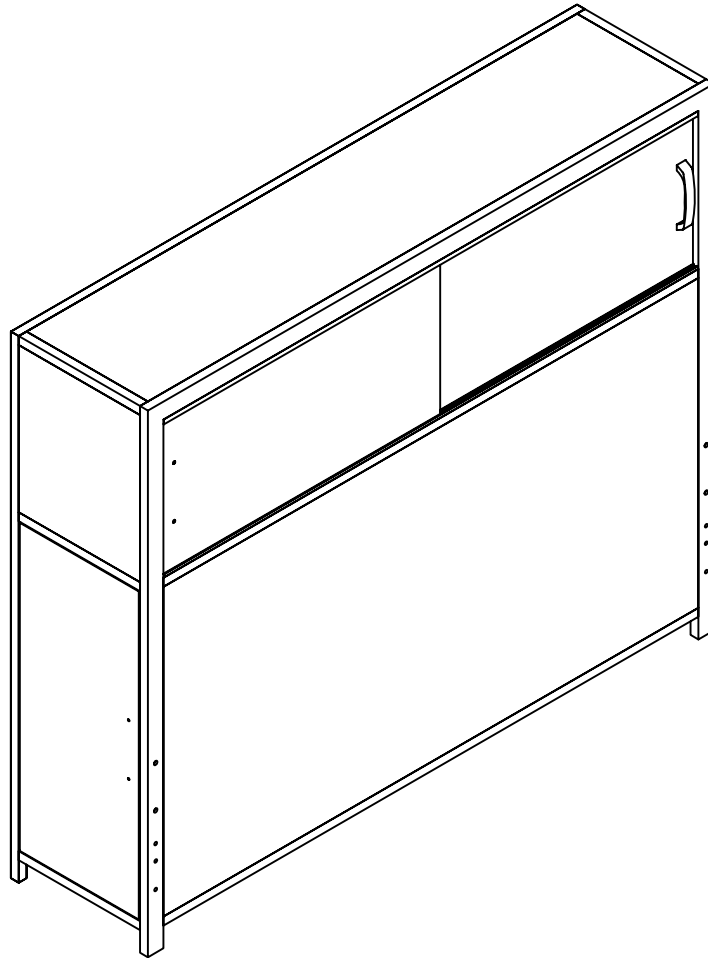
Thank you for purchasing this CR product. We want to make sure it is complete and to your satisfaction. Please check all packing material carefully for small parts which may have come loose inside the carton during shipment. Hardware can be identified by bright red packaging. Separate, identify, and count all parts and hardware to make sure they match with the illustrations herein and are all present. If any part(s) are missing or defective please contact CR Customer Service. Contact information is given at the bottom of these instructions. If you feel the item is defective beyond a resolution with part replacements, please return this product with your receipt to the place of purchase. If purchased from an internet retailer, please contact their customer service department. Photo's and additional information may be requested to validate the claim. Product is not to be returned to the CR Company under any circumstance unless authorized by the CR Company or an authorized dealer or representative. Thank you.

ATTENTION: SOME LETTERED PARTS LISTED ON THE INSTRUCTION SHEET MAY NOT BE IN PARTS BAG AS THEY MAY ALREADY BE ASSEMBLED. CAREFULLY CHECK PARTS AND PACKING MATERIALS PRIOR TO ORDERING REPLACEMENTS.

Tools required for assembly: Allen Wrench (included) Phillips Screwdriver (not included)




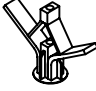



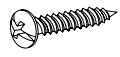

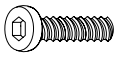




PARTS IDENTIFICATION






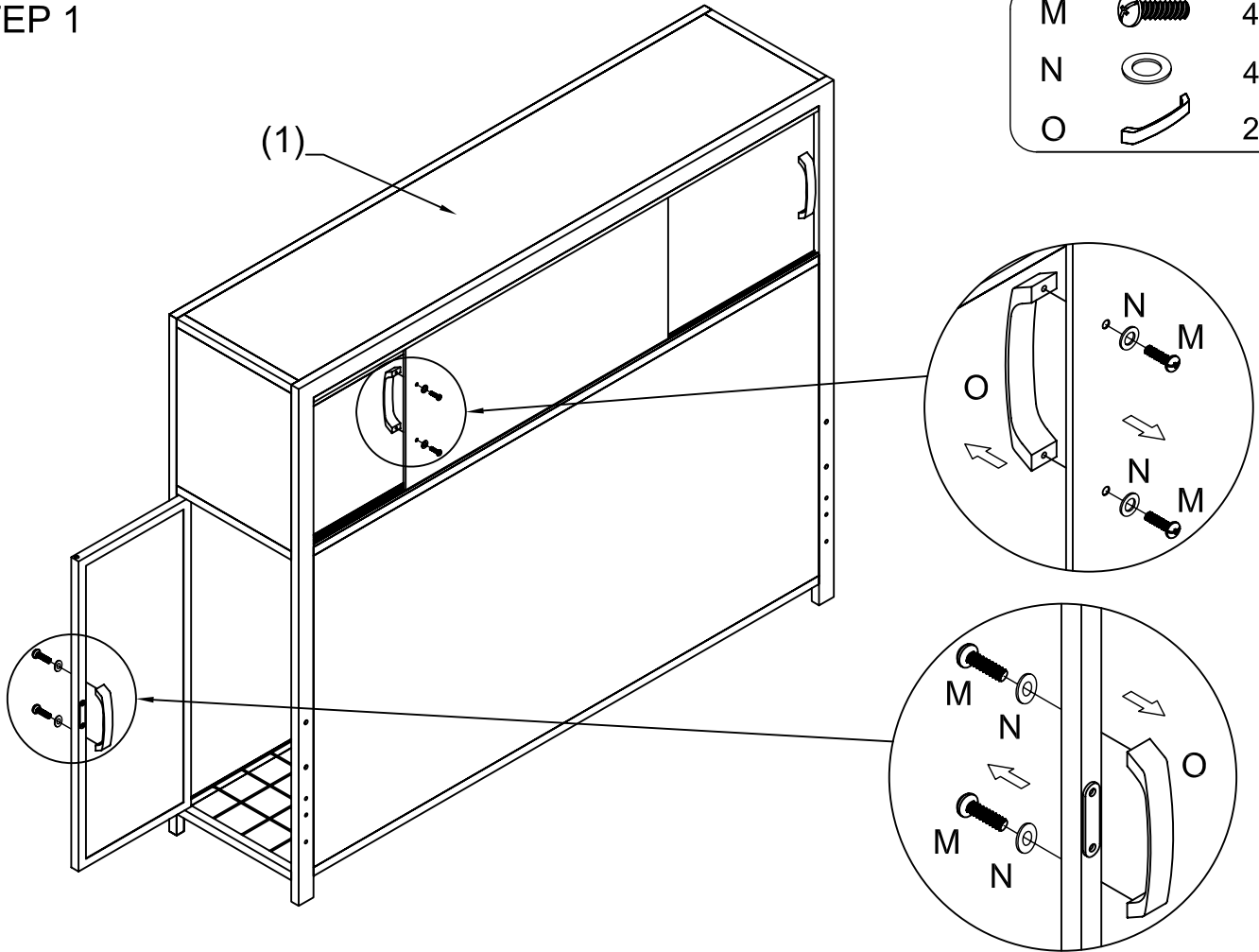
(1)x1pc

HARDWARE LIST

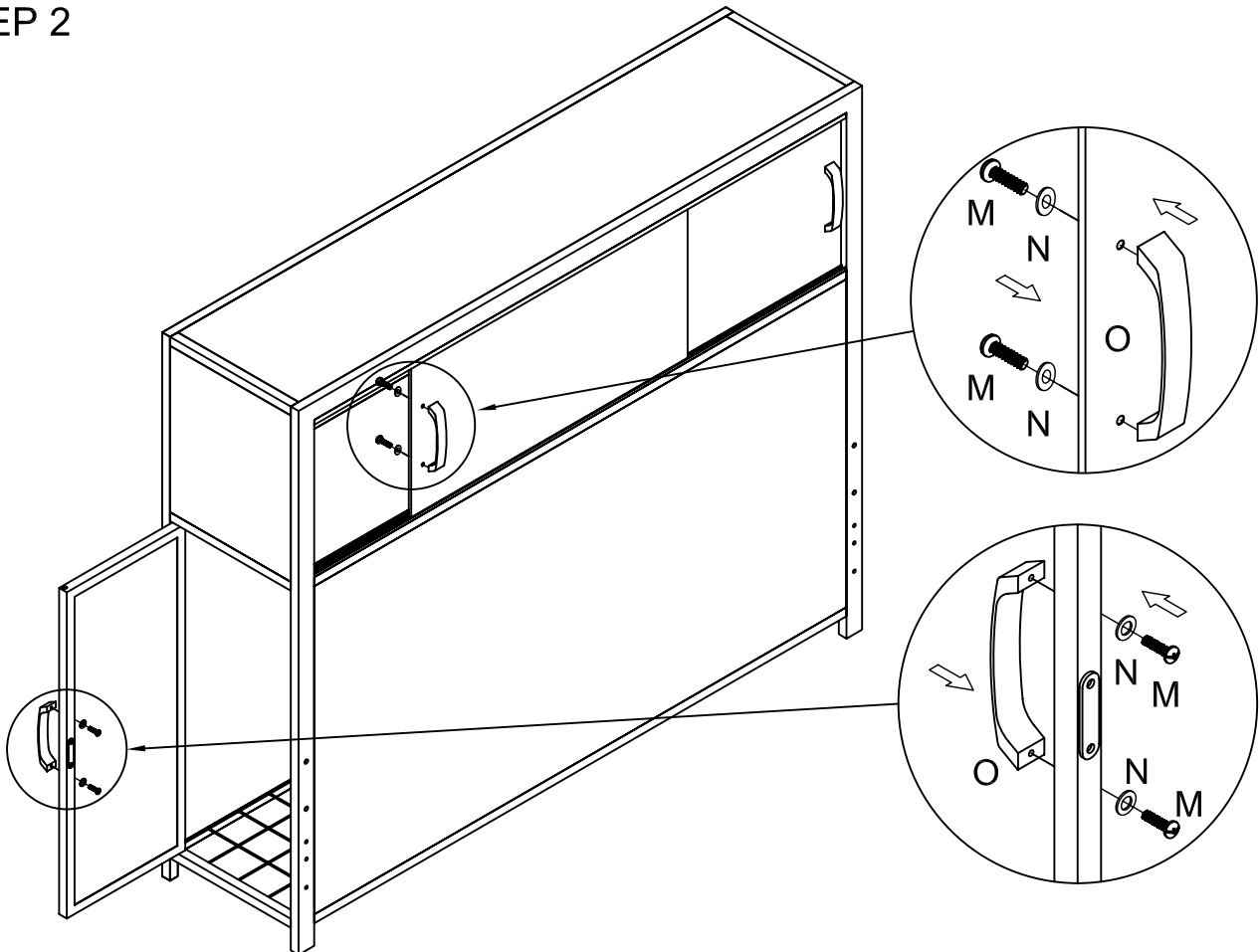
A		1/4"X7/8"	4PCS	G		2PCS
B		M4x25L	2PCS	H		1PC
C		Ø16mm	4PCS	I		1PC
D		Ø12mm	2PCS	J		M4x37mm 1PC
E	 WASHER(PVC) Ø25mm	4PCS		K		1/4"X1/2" 1PC
F			1PC	L		4x4mm 1PC

STEP 1

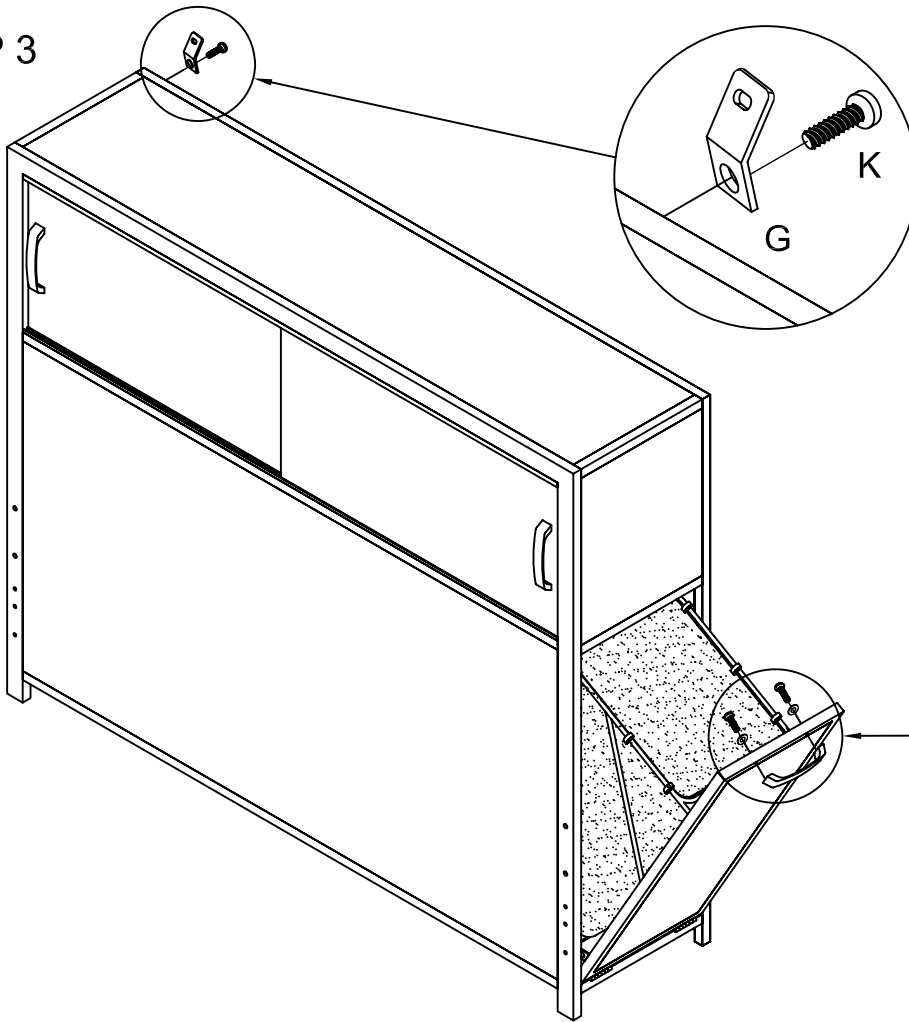
M		4PCS
N		4PCS
O		2PCS



STEP 2

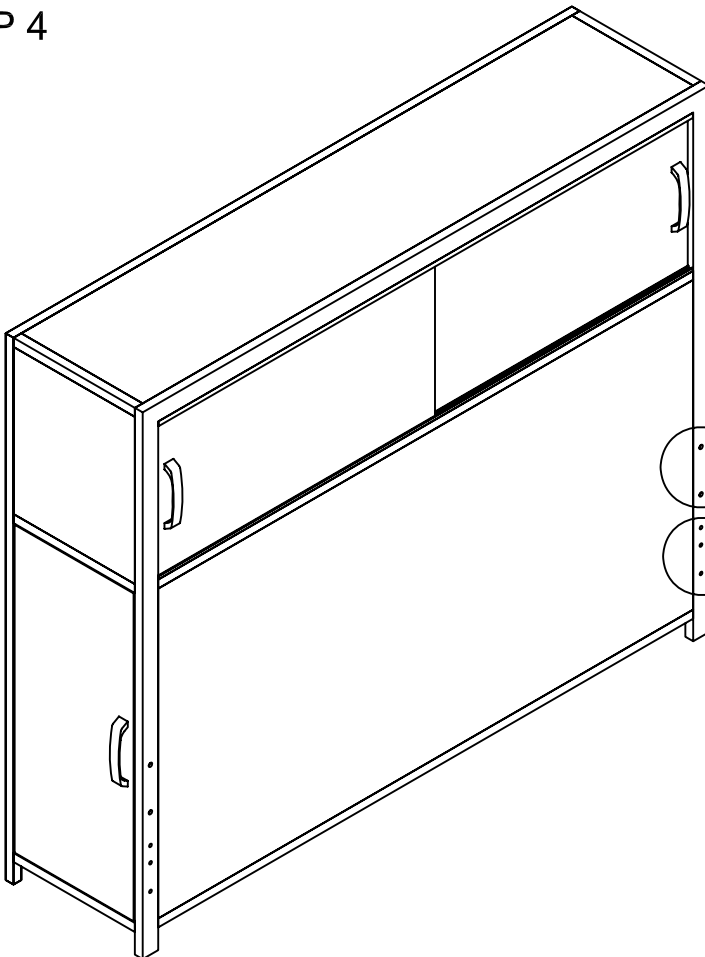


STEP 3



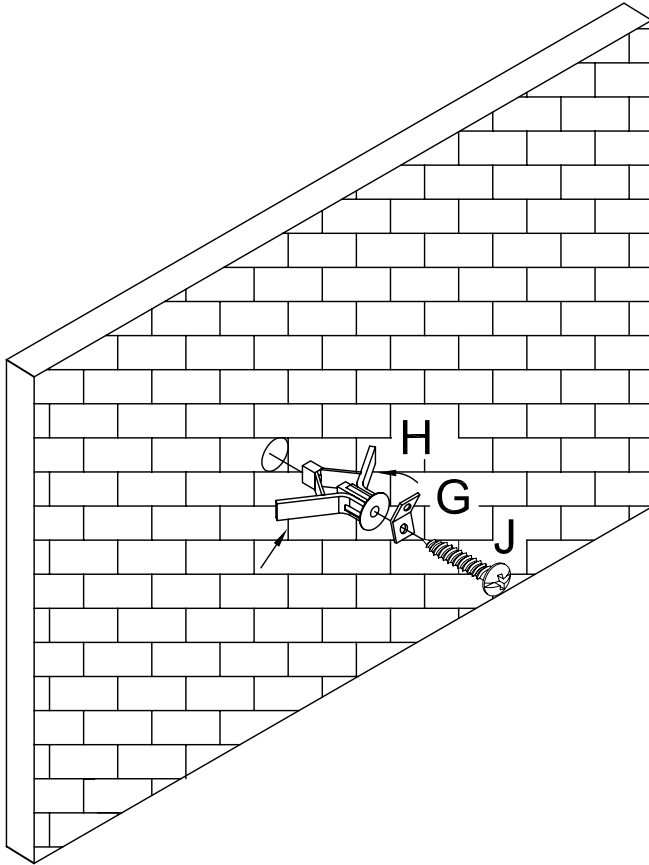
- | | | |
|---|--|------|
| B | | 2PCS |
| D | | 2PCS |
| F | | 1PC |
| G | | 1PC |
| K | | 1PC |
| L | | |


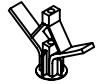

STEP 4



- | | | |
|---|--|------|
| A | | 4PCS |
| C | | 4PCS |
| E | | 4PCS |
| L | | |

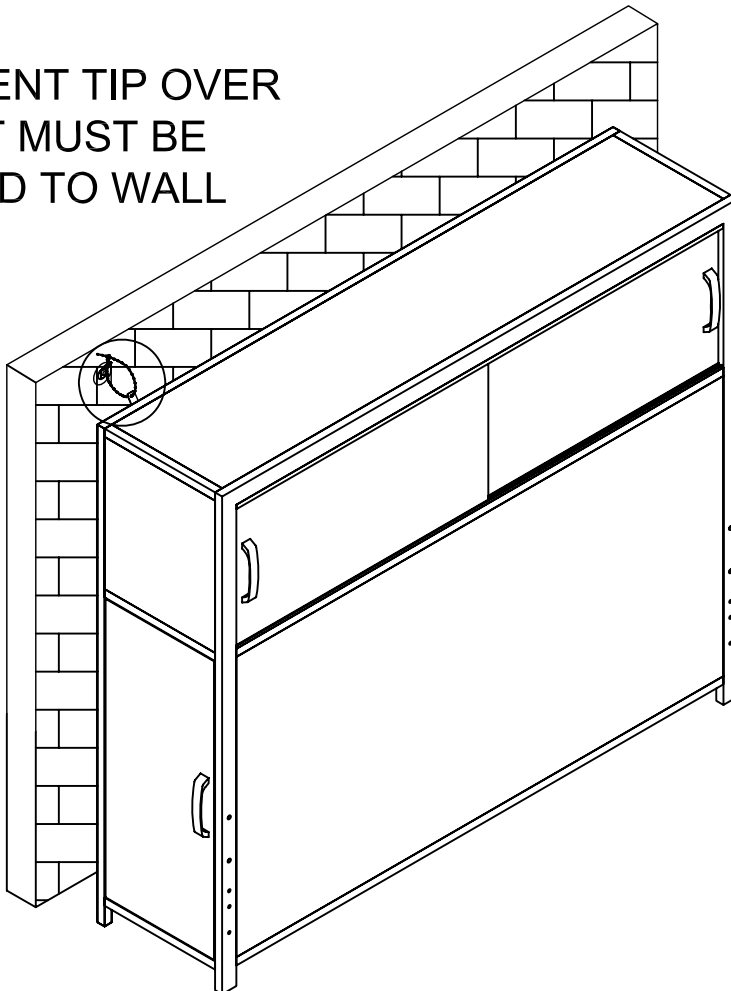
STEP 5



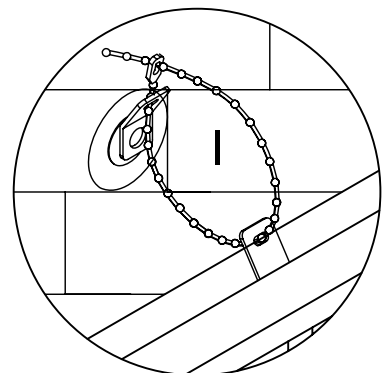
G		1PC
H		1PC
J		1PC

STEP 6

TO PREVENT TIP OVER
PRODUCT MUST BE
ATTACHED TO WALL



I		1PC
---	---	-----



64-3722, or call Customer Service at (765) 564-2586 extension 277.
email parts address: criparts@chromrev.com
PLEASE HAVE THE MODEL NUMBER, PART CODE AND FACTORY CODE IDENTIFIED

Reason for replacement	City (No post Office Box Addresses)	State	Zip
	Best contact phone number (___)		
Date of purchase _____	E-mail address: _____		
	Factory Code(WW)		

Made in China