



by Chromcraft Revington International

## ASSEMBLY INSTRUCTIONS

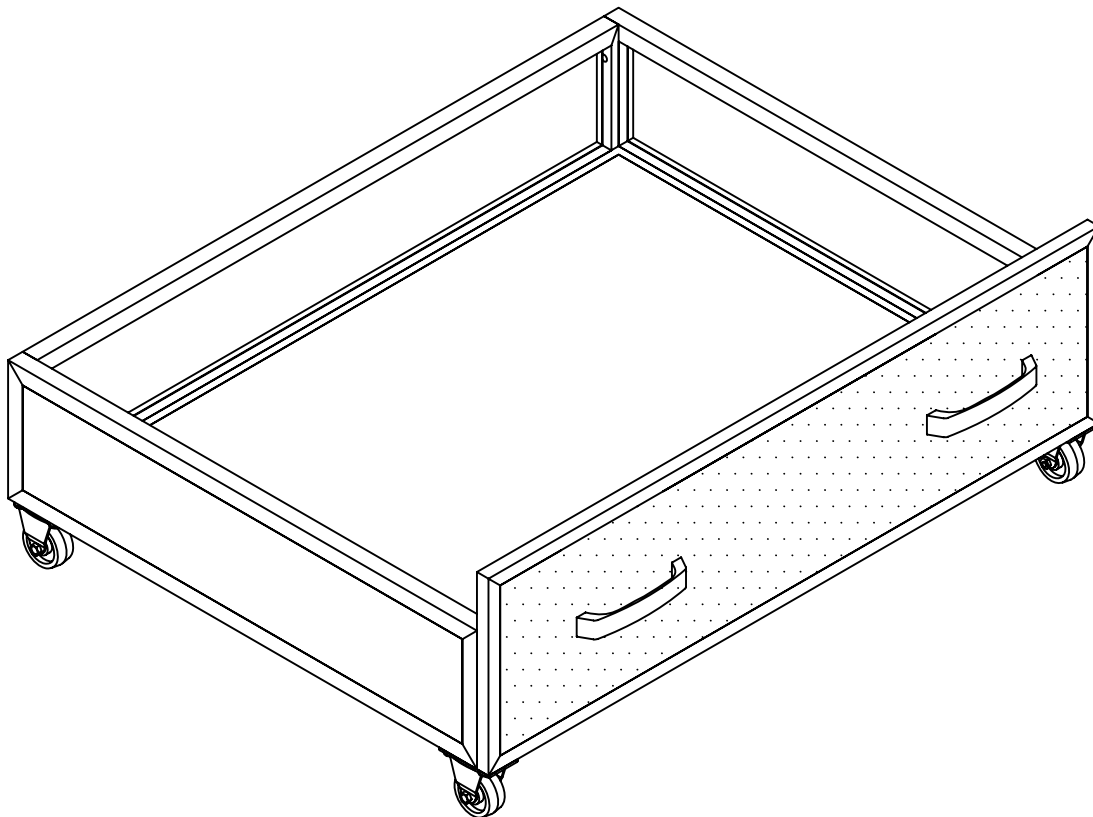
# MODEL NO. 1012108

Made in China

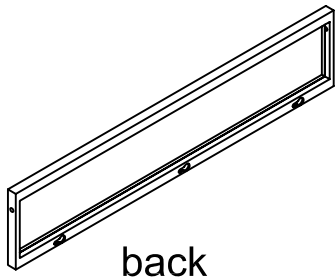
Thank you for purchasing this CR product. We want to make sure it is complete and to your satisfaction. Please check all packing material carefully for small parts which may have come loose inside the carton during shipment. Hardware can be identified by bright red packaging. Separate, identify, and count all parts and hardware to make sure they match with the illustrations herein and are all present. If any part(s) are missing or defective please contact CR Customer Service. Contact information is given at the bottom of these instructions. If you feel the item is defective beyond a resolution with part replacements, please return this product with your receipt to the place of purchase. If purchased from an internet retailer, please contact their customer service department. Photo's and additional information may be requested to validate the claim. Product is not to be returned to the CR Company under any circumstance unless authorized by the CR Company or an authorized dealer or representative. Thank you.

**ATTENTION: SOME LETTERED PARTS LISTED ON THE INSTRUCTION SHEET MAY NOT BE IN PARTS BAG AS THEY MAY ALREADY BE ASSEMBLED. CAREFULLY CHECK PARTS AND PACKING MATERIALS PRIOR TO ORDERING REPLACEMENTS.**

Tools required for assembly: Allen Wrench (included) Phillips Screwdriver (not included)

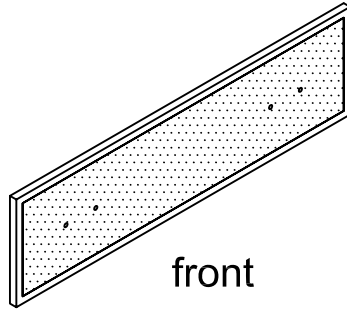


# PARTS IDENTIFICATION



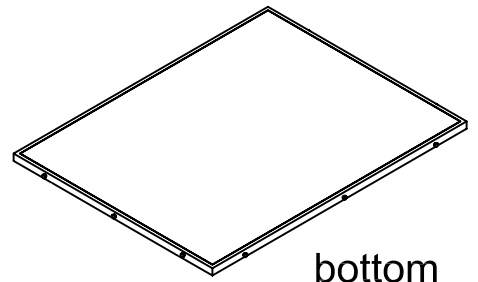
back

(1)x1pc



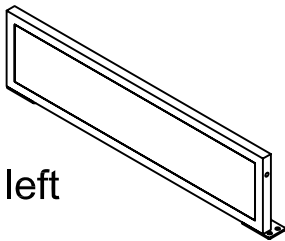
front

(2)x1pc



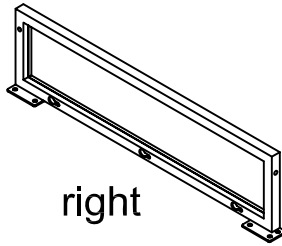
bottom

(3)x1pc



left

(4)x1pc

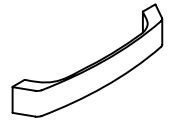


right

(5)x1pc

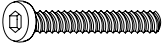







(6)x4pcs

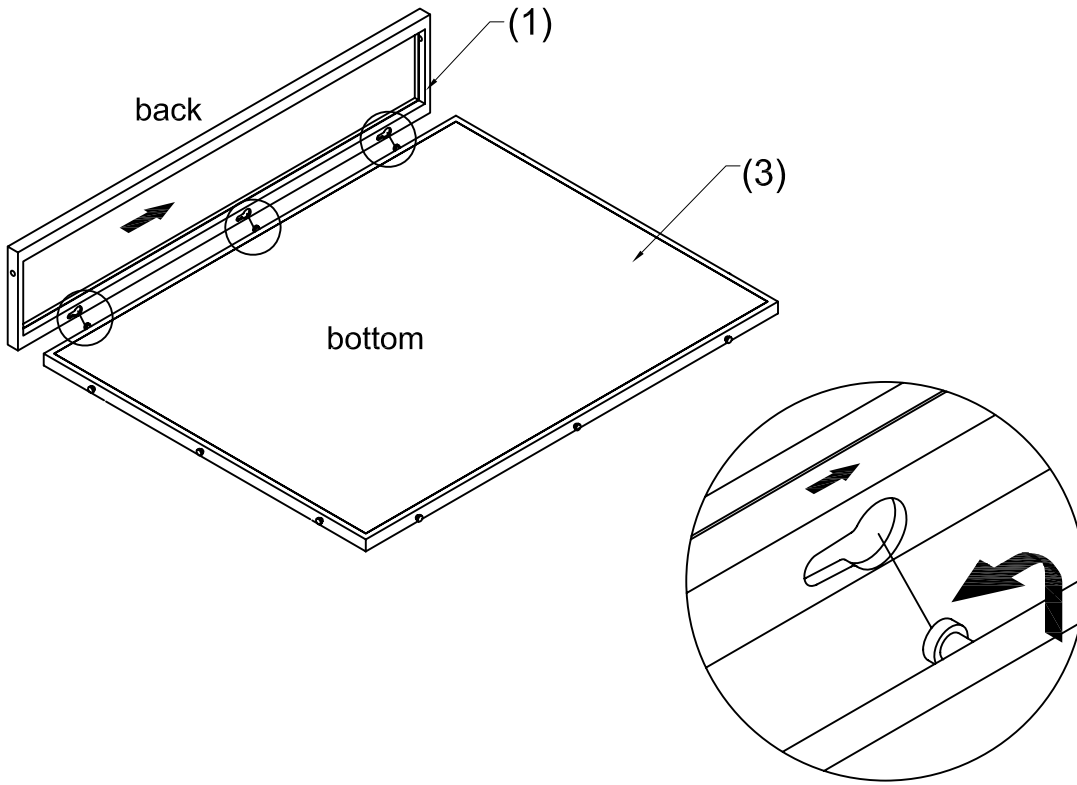


(7)x2pcs

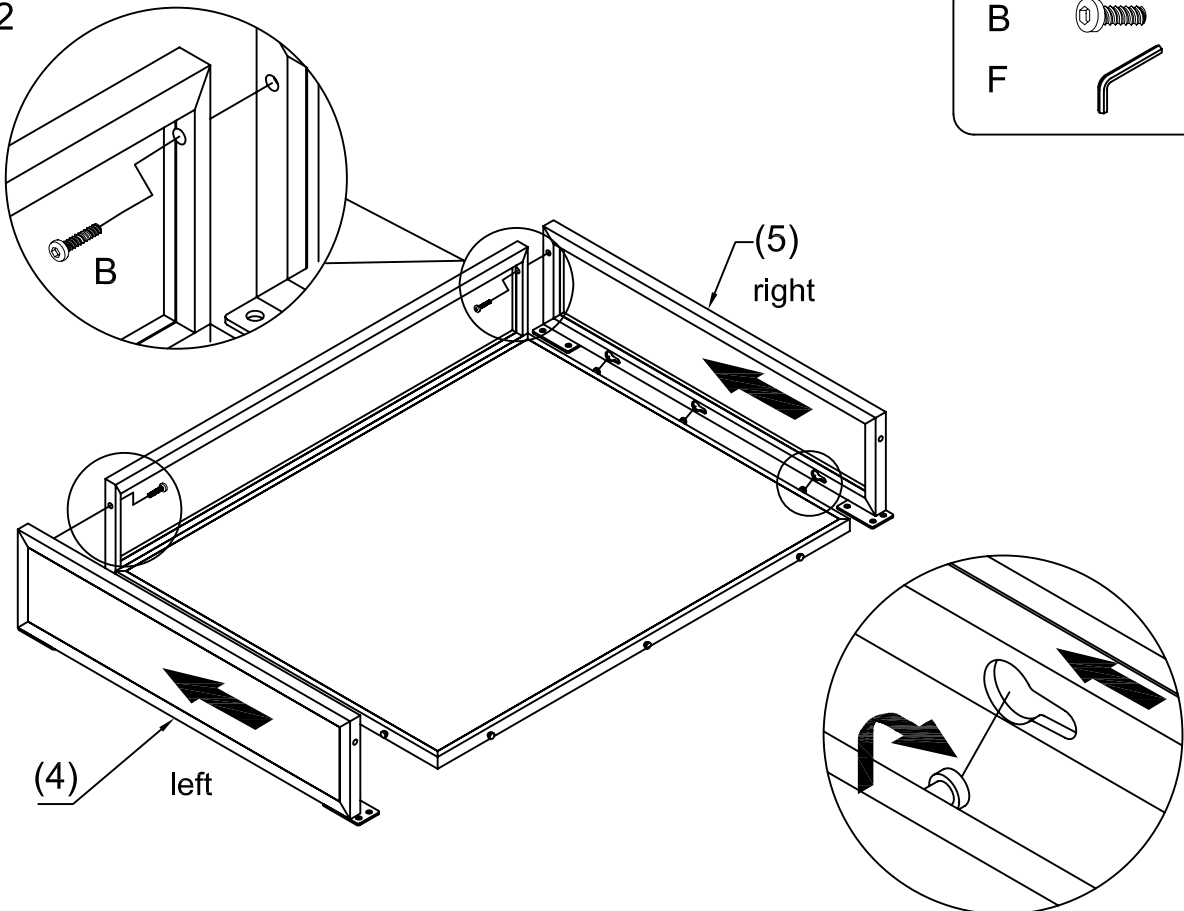
## HARDWARE LIST



A		1/4"X1 1/4"	2PCS
B		1/4"x7/8"	2PCS
C		1/4"x5/8"	16PCS
D		M4x5/8"	4PCS
E		∅ 12mm	4PCS
F		4x4(mm)	1PC

STEP 1

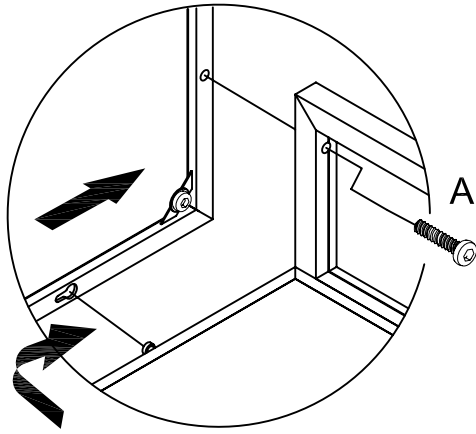



STEP 2



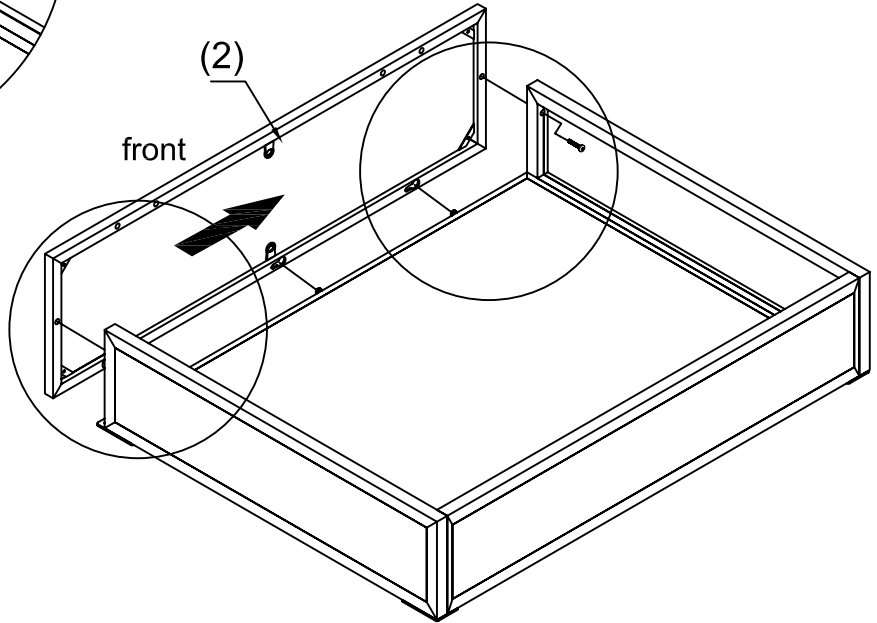
B		2PCS
F		

### STEP 3

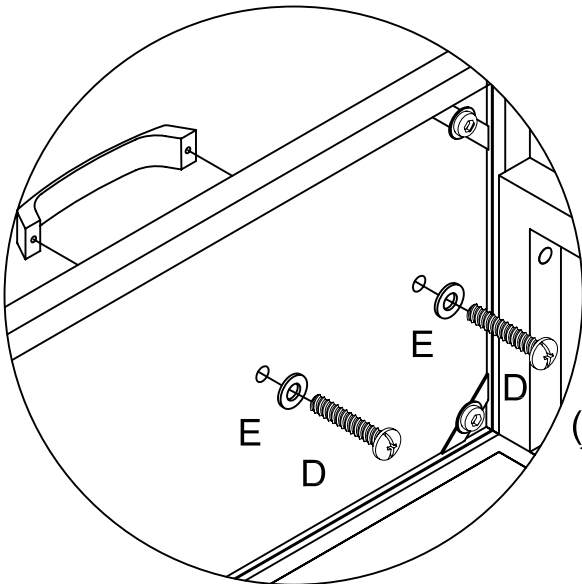


A  2PCS

H 

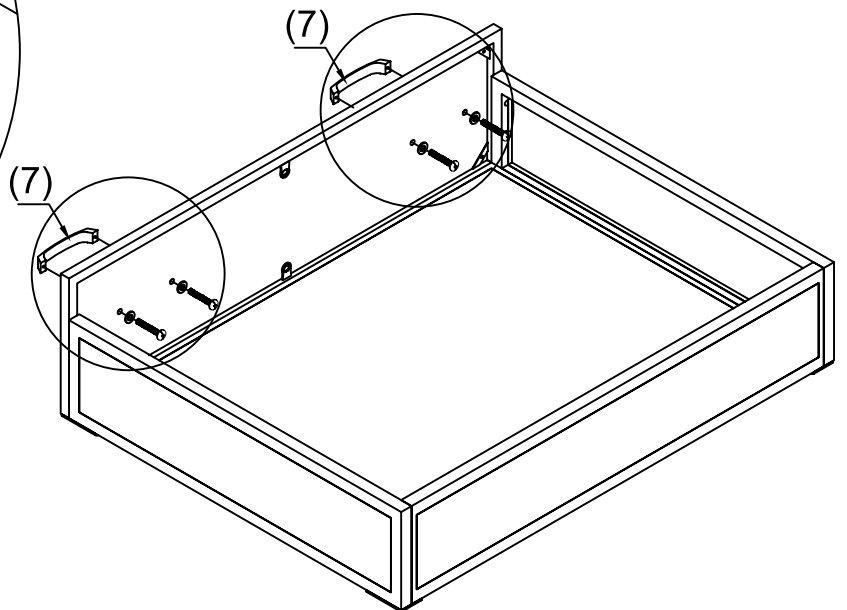


### STEP 4

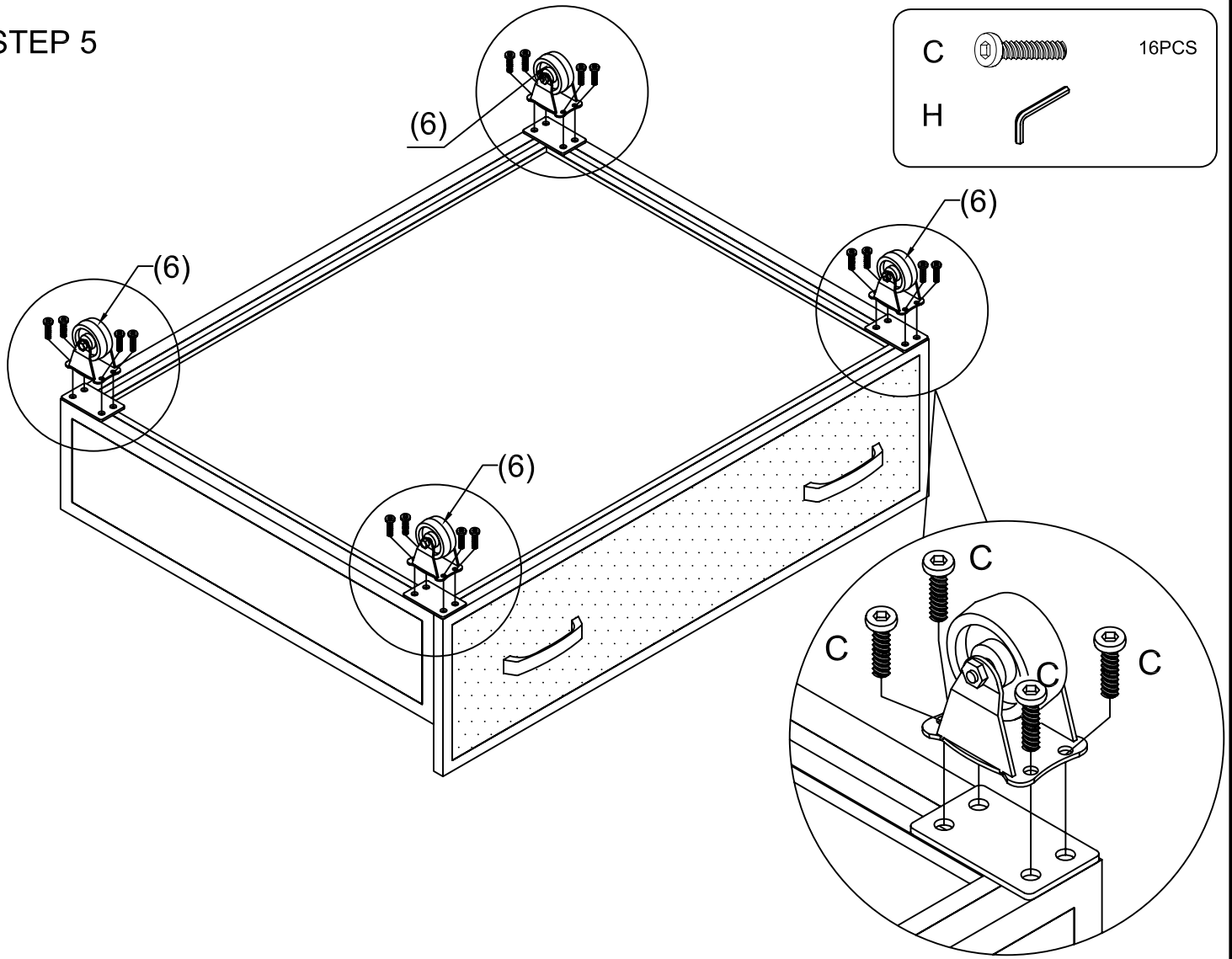


D  4PCS

E  4PCS



STEP 5



MODEL NO. 1012108

Should there be any missing or defective part(S), **place your part order on line at [criparts@chromrev.com](mailto:criparts@chromrev.com)**, or fax this form to (765) 564-3722, or call Customer Service at (765) 564-2586 extension 277.  
 email parts address: [criparts@chromrev.com](mailto:criparts@chromrev.com)  
 PLEASE HAVE THE MODEL NUMBER, PART CODE AND FACTORY CODE IDENTIFIED

Part Letter _____	Quantity _____
_____	_____
Reason for replacement _____	_____
_____	_____
Place of purchase _____	_____
Date of purchase _____	_____

Name _____
Address _____
City _____ State _____ Zip _____
(No post Office Box Addresses)
Best contact phone number ( ____ ) _____
E-mail address: _____
Factory Code(WW) _____

Made in China

© 2010 CR