



by Chromcraft Revington International

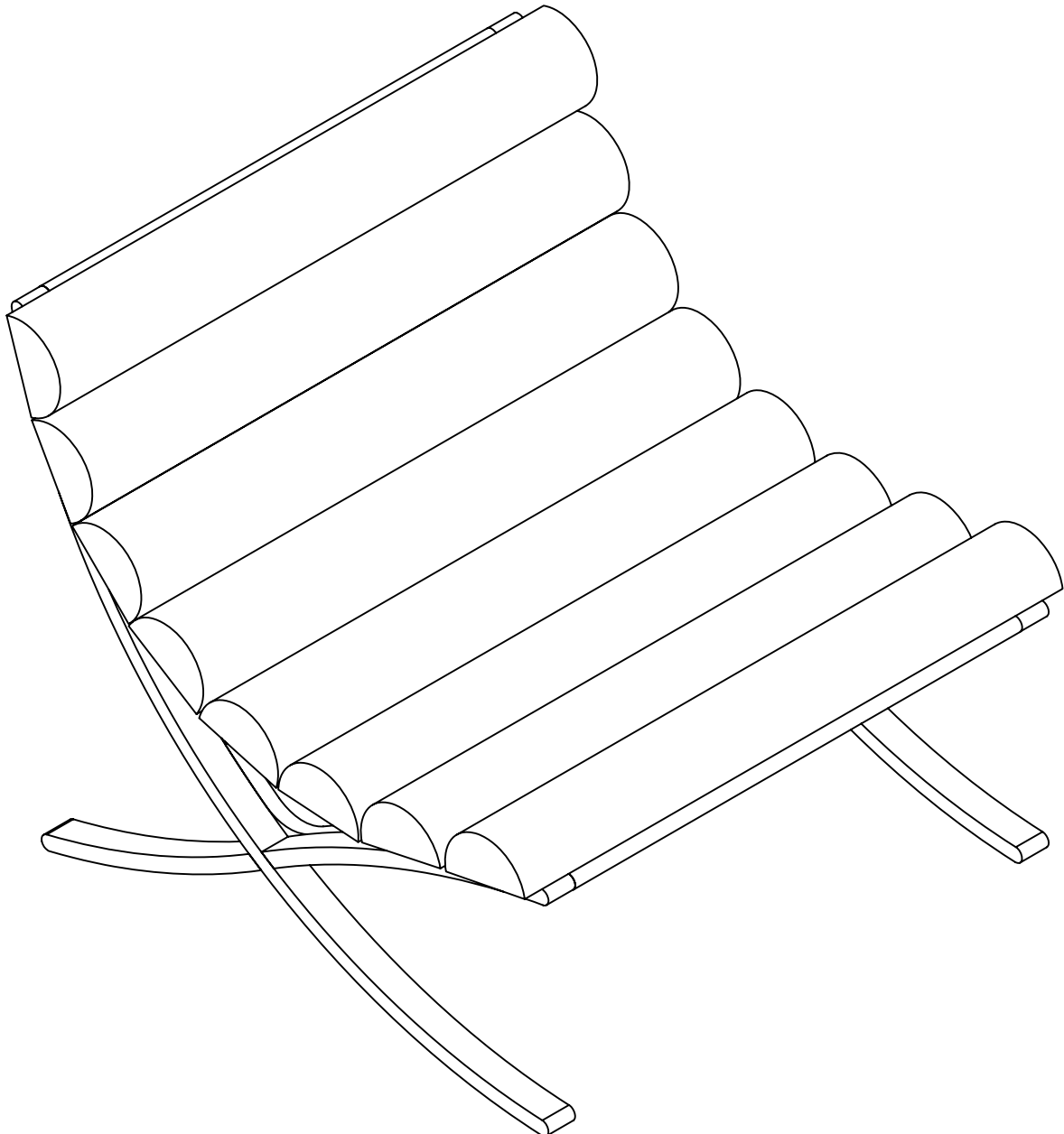
## ASSEMBLY INSTRUCTIONS MODEL NO. 1012278

Made in China

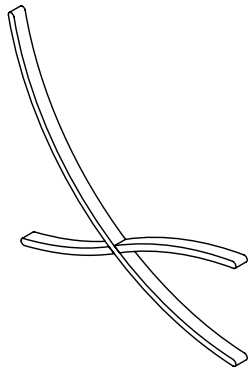
Thank you for purchasing this CR product. We want to make sure it is complete and to your satisfaction. Please check all packing material carefully for small parts which may have come loose inside the carton during shipment. Hardware can be identified by bright red packaging. Separate, identify, and count all parts and hardware to make sure they match with the illustrations herein and are all present. If any part(s) are missing or defective please contact CR Customer Service. Contact information is given at the bottom of these instructions. If you feel the item is defective beyond a resolution with part replacements, please return this product with your receipt to the place of purchase. If purchased from an internet retailer, please contact their customer service department. Photo's and additional information may be requested to validate the claim. Product is not to be returned to the CR Company under any circumstance unless authorized by the CR Company or an authorized dealer or representative. Thank you.

**ATTENTION: SOME LETTERED PARTS LISTED ON THE INSTRUCTION SHEET MAY NOT BE IN PARTS BAG AS THEY MAY ALREADY BE ASSEMBLED. CAREFULLY CHECK PARTS AND PACKING MATERIALS PRIOR TO ORDERING REPLACEMENTS.**

Tools required for assembly: Allen Wrench(included) Phillips Screwdriver (not included)

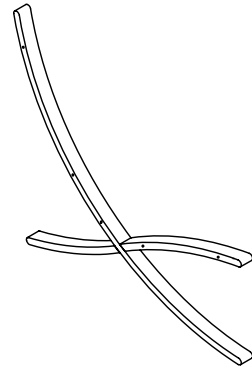


# PARTS IDENTIFICATION



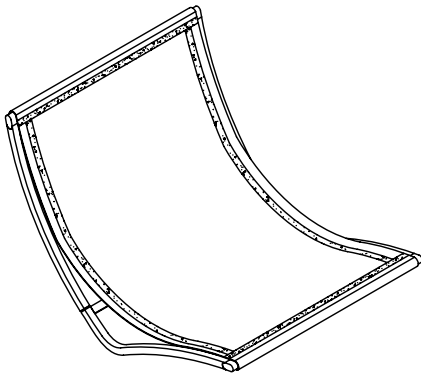
(LEFT)

(1) x 1pc

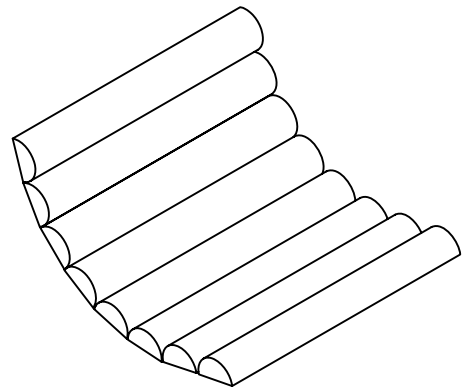


(RIGHT)

(2) x 1pc



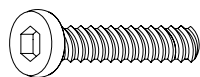
(3) x 1pc



(4) x 1pc

## HARDWARE LIST

A



1/4"x1 1/2"

10pcs



B

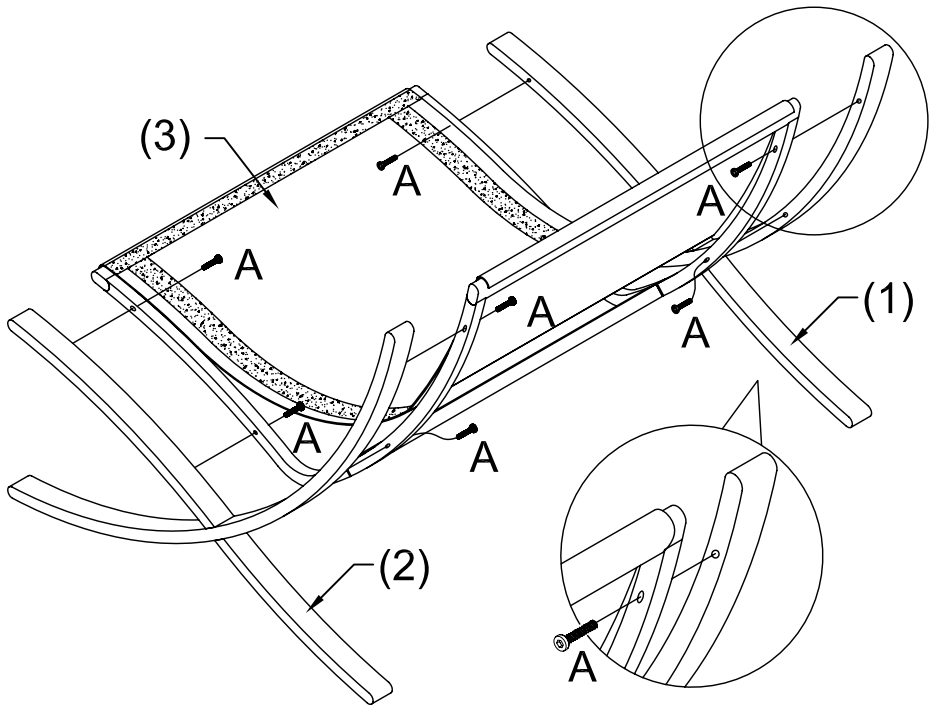


4X4mm

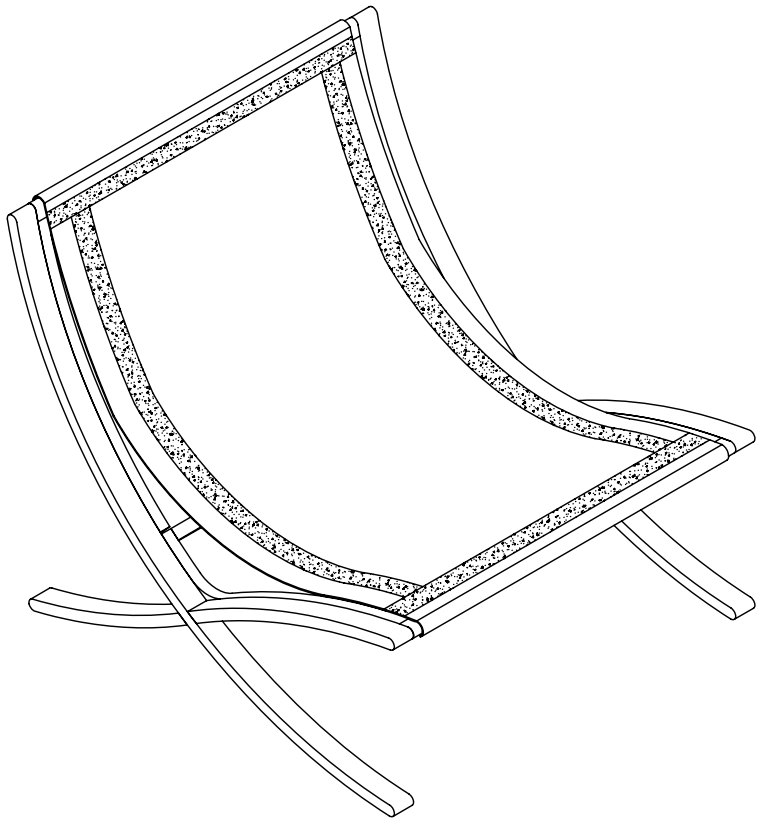
1pc

STEP 1:

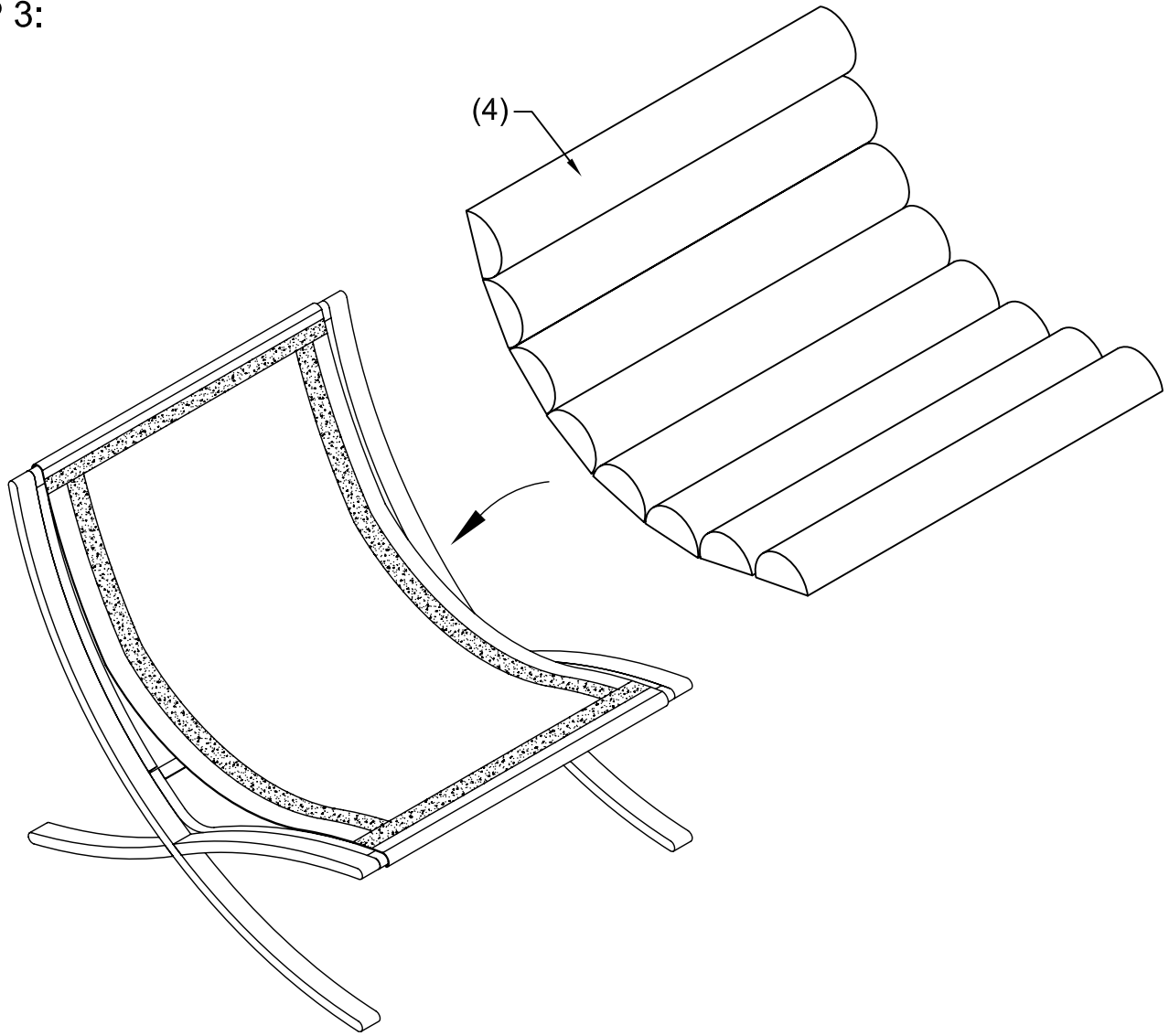
- A  10PCS
- B 



STEP 2:



**STEP 3:**



MODEL NO. 1012278

Should there be any missing or defective part(S), **place your part order on line at [criparts@chromrev.com](mailto:criparts@chromrev.com)**, or fax this form to (765) 564-3722, or call Customer Service at (765) 564-2586 extension 277.  
 email parts address: [criparts@chromrev.com](mailto:criparts@chromrev.com)  
 PLEASE HAVE THE MODEL NUMBER, PART CODE AND FACTORY CODE IDENTIFIED

Part Letter \_\_\_\_\_ Quantity \_\_\_\_\_

Name \_\_\_\_\_

Address \_\_\_\_\_

City \_\_\_\_\_ State \_\_\_\_\_ Zip \_\_\_\_\_  
 (No post Office Box Addresses)

Reason for replacement \_\_\_\_\_

Best contact phone number ( \_\_\_\_ ) \_\_\_\_\_

Place of purchase \_\_\_\_\_

E-mail address: \_\_\_\_\_

Date of purchase \_\_\_\_\_

Factory Code(WW)

Made in China

© 2010 CR