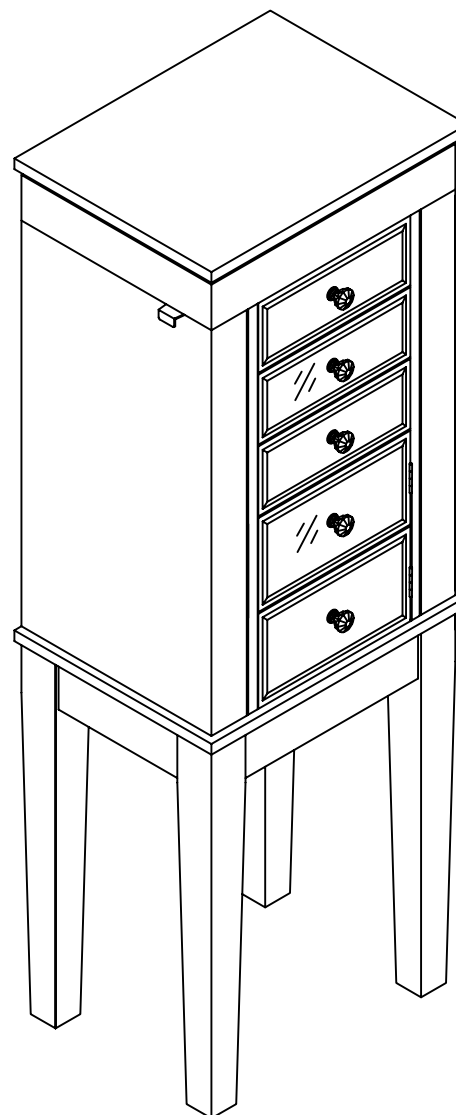


Mirrored Jewelry Armoire

Jewelry Armoire

style # 1069313 cherry

dpcl # 242-15-1799



>> assembly instructions

Congratulations on your latest purchase.

Now what? Don't start sweating over this box of parts. This will be easy. We did the hard work for you. All you need to do is follow our simple instructions and you'll be on your way to transforming your room in no time. Good luck-though we're confident you won't need it.

before you begin

1. Check for damaged or missing parts. Call 1-877-820-8528 to order missing supplies.
2. Use the carton as a working surface to prevent product damage during assembly.
3. Gather all tools prior to assembly.

tools needed

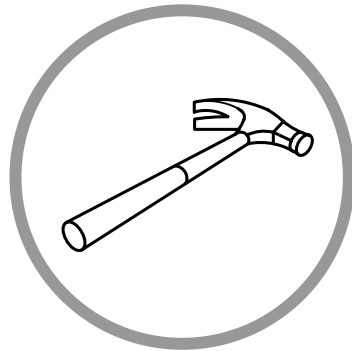
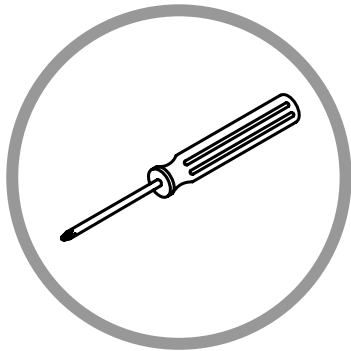
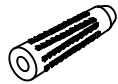


table of contents

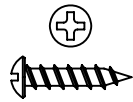
introduction	2
hardware	4
parts list	5
assembly	6-10

hardware

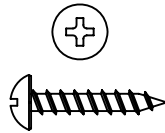
(H1) x 1
anchor



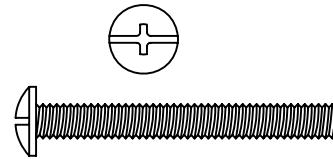
(H2) x 1
1/2" pan-head screw



(H3) x 4
3/4" pan-head screw



(H4) x 8
1-3/4" pan-head
machine screw



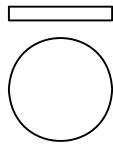
(H5) x 8
5/8 " washer



(H6) x 8
3/8" washer



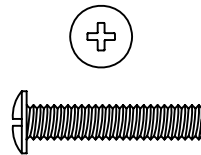
(H7) x 2
5/8" foam pad



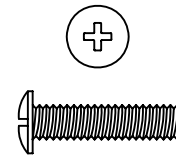
(H8) x 5
Knob



(H9) x 3
1" pan-head machine
screw



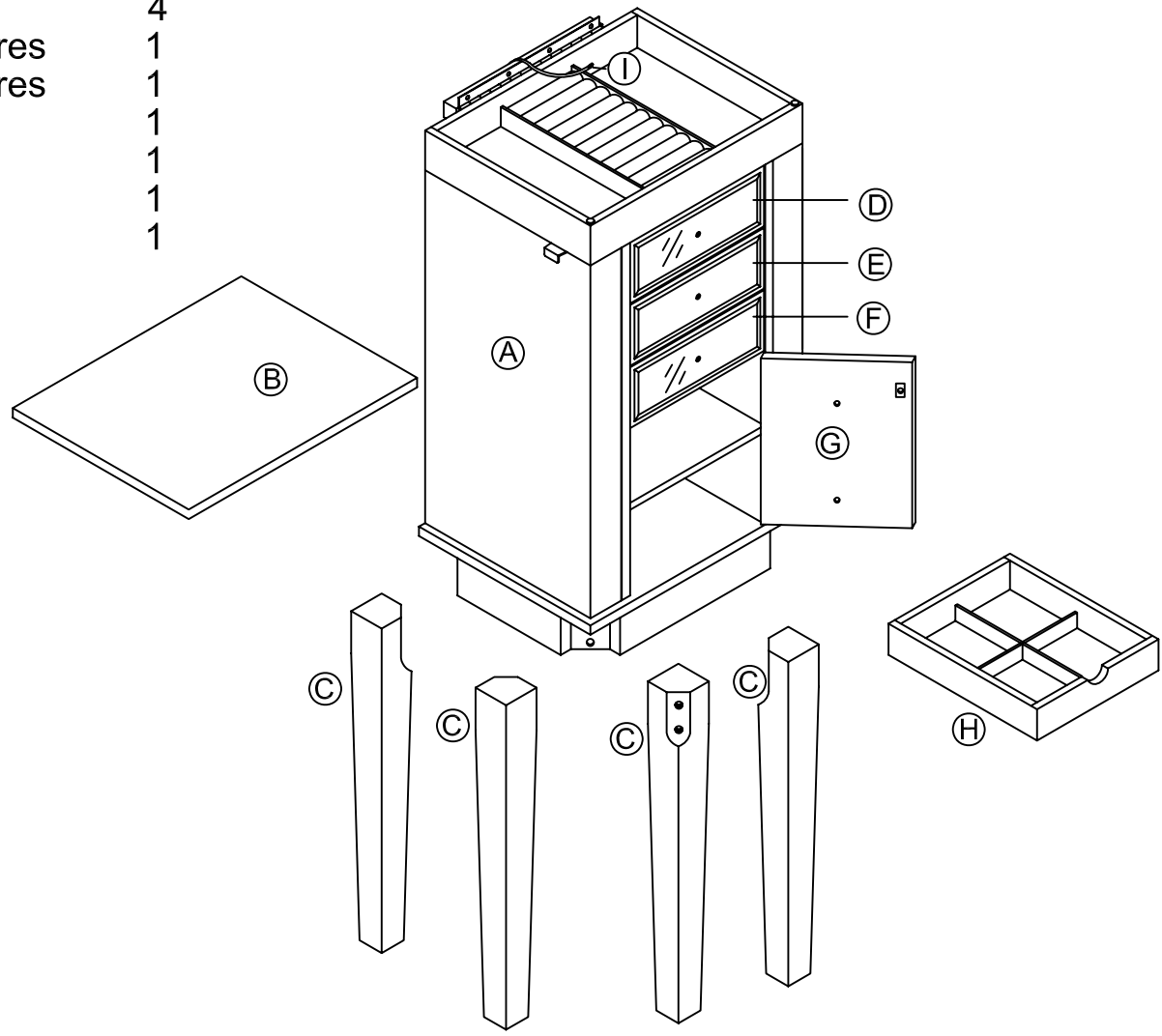
(H10) x 2
7/8" pan-head
machine screw



ITEM DESCRIPTION

QUANTITY

A	armoire	1
B	top	1
C	leg	4
D	small drawer with 3 squares	1
E	small drawer with 4 squares	1 </td
F	small drawer-open	1
G	bottom door	1
H	Jewelry box	1
I	Mambo belt	1

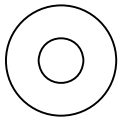
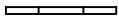


step 1.

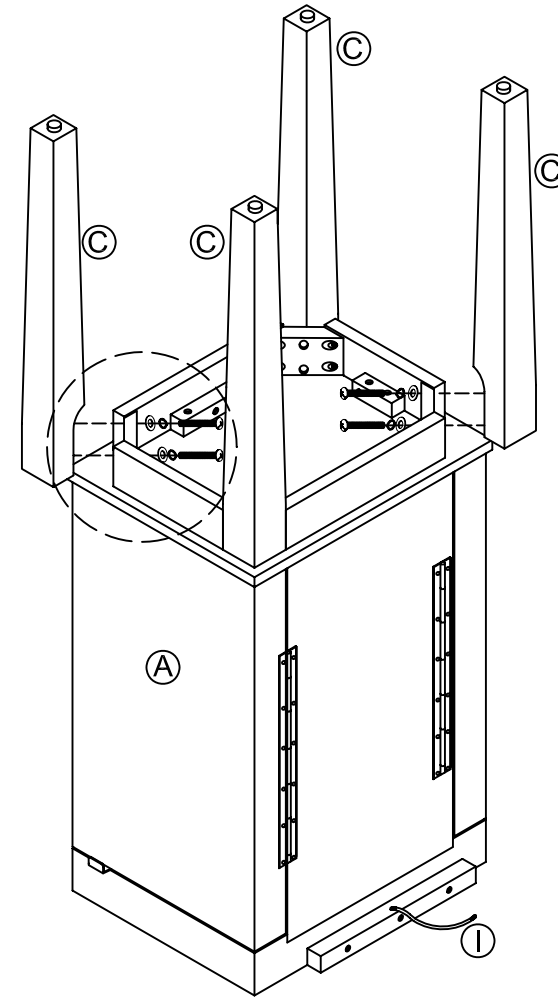
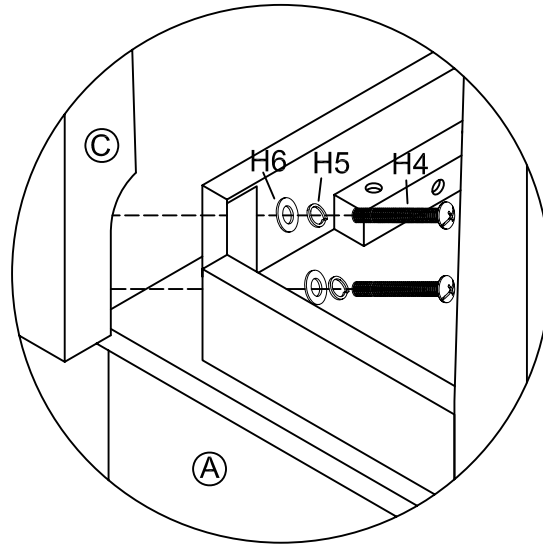
(H4) x 8
1-3/4" pan-head
macdhine screw



(H5) x 8
5/8 " washer

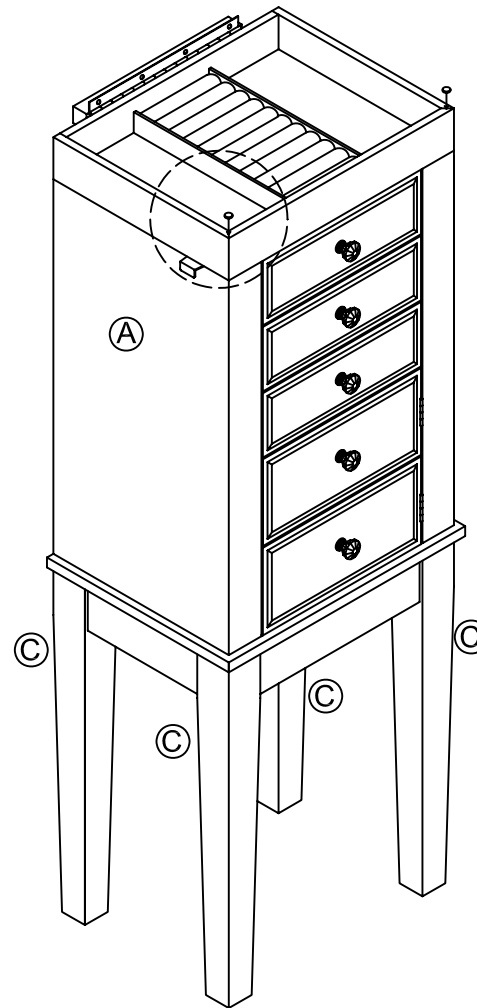
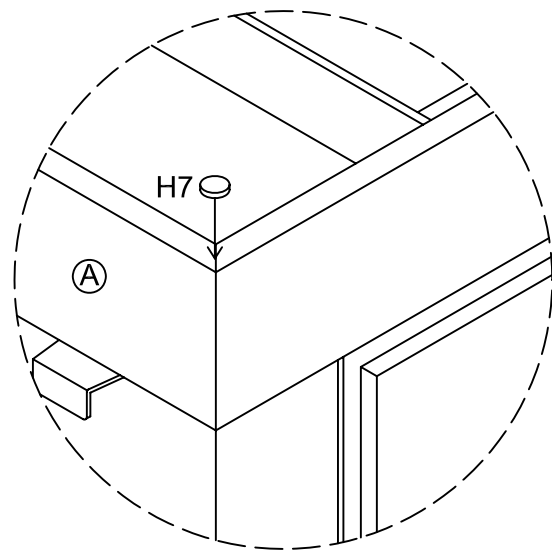
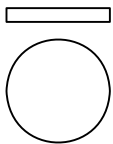


(H6) x 8
3/8" washer



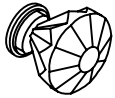
step 2.

(H7) x2
5/8" foam pad



step 3.

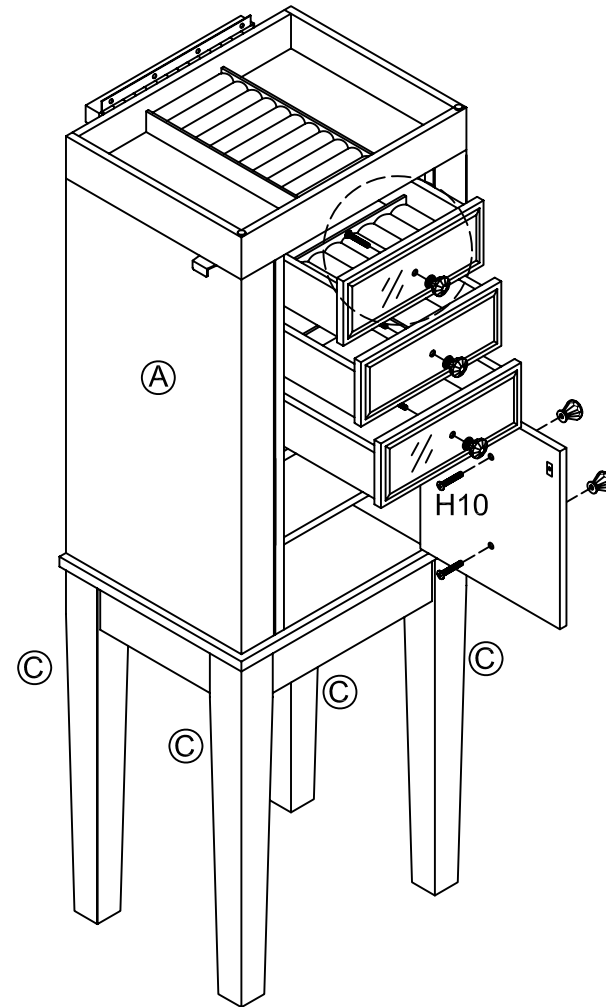
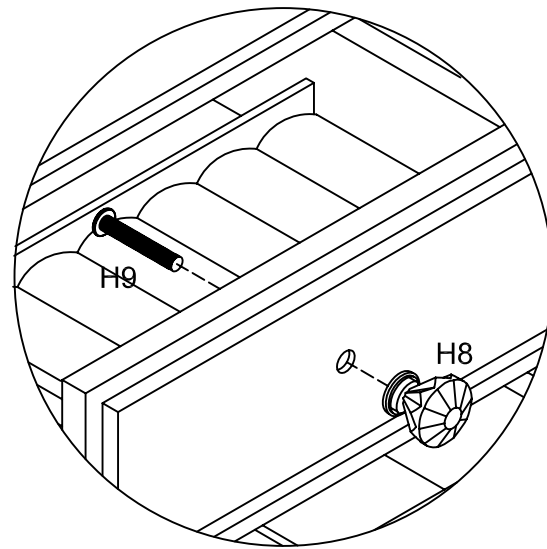
(H8) x5
5/8" foam pad



(H9) x 3
5/32" pan-head
machine screw

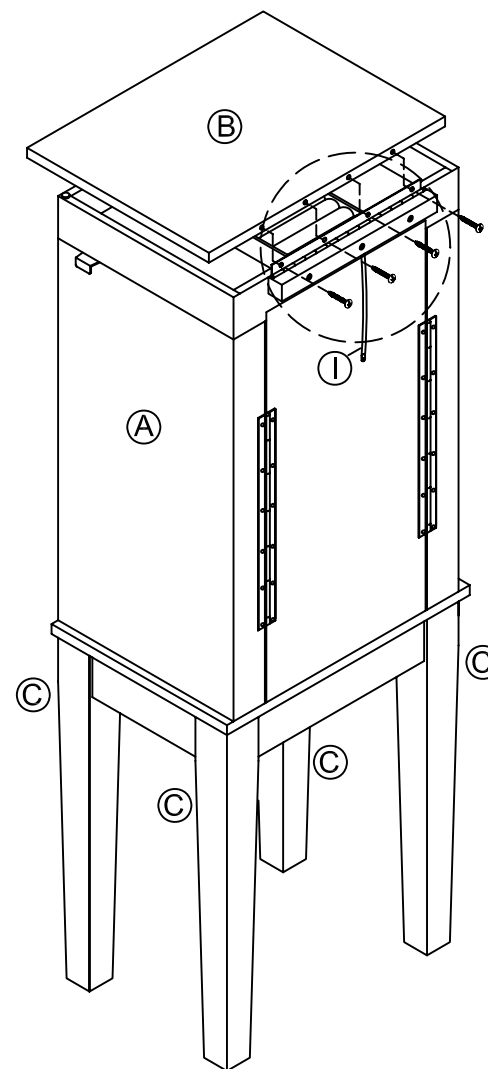
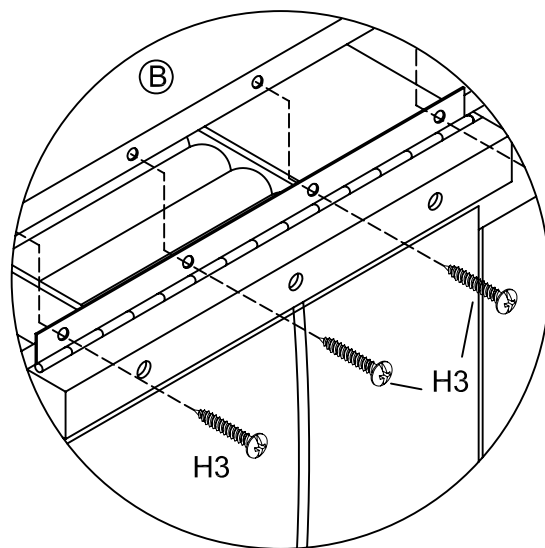
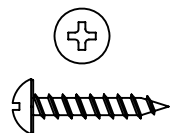


(H10) x 2
5/32" pan-head
machine screw



step 4.

(H3) x 4
3/4" pan-head screw



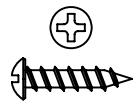
1. Do not over tighten screws.

step 5.

(H1) x 1
anchor



(H2) x 1
1/2" pan-head screw



NOTATION: TAKE ASSEMBLED CORD FROM BACK OF CASE AND ATTACH LOOP WITH SCREW INTO WALL ANCHOR.

