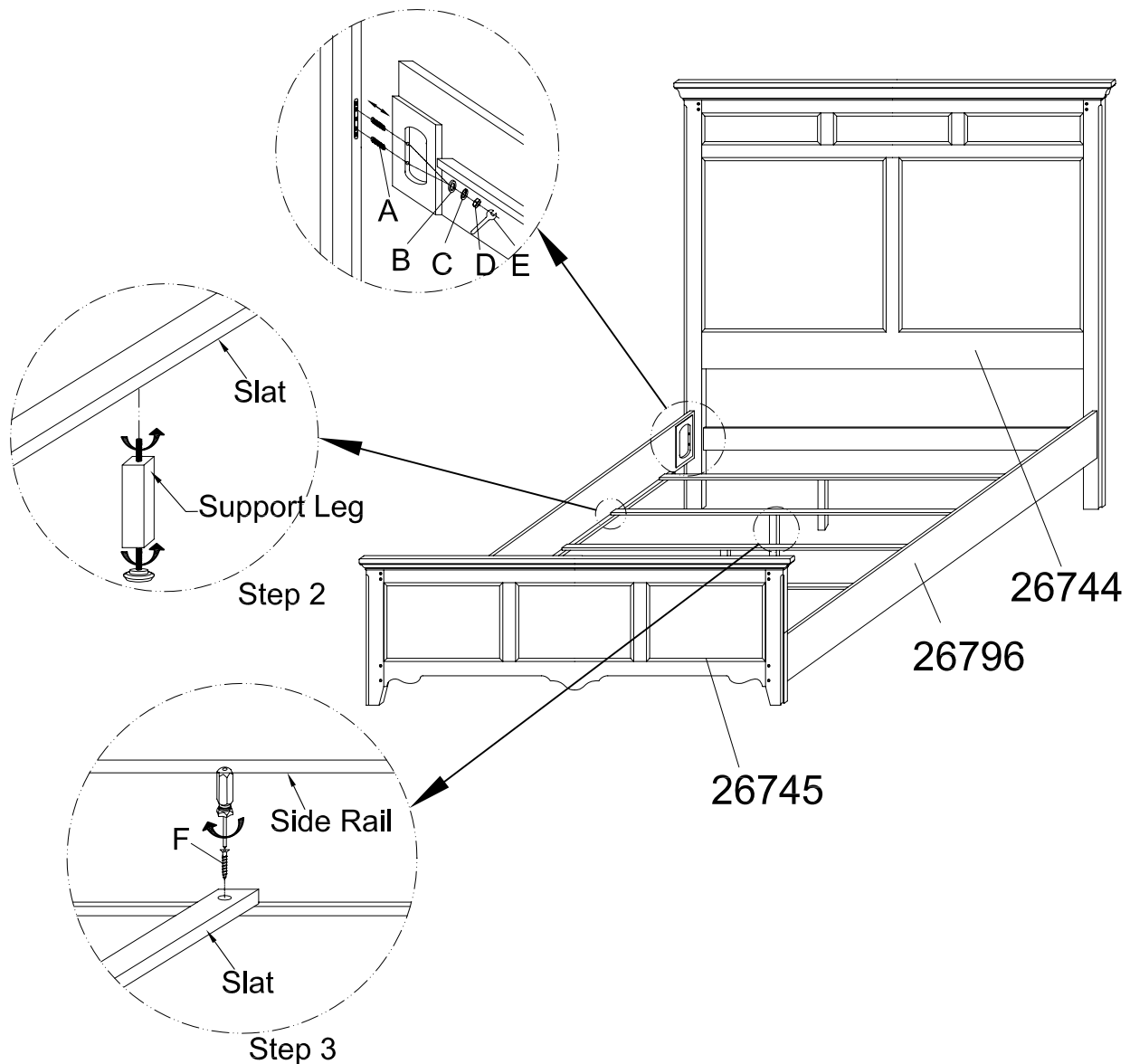






Southern Living[®]

by Chromcraft Revington

26744 5/0 PANEL HB 26745 5/0 PANEL FB
26796 5/0 RAILS AND SLATS



Item	Sketch	Description	Qty
A		Threaded rod 5/16" x 3"	8 PCS
B		Flat Washer 5/16" x 16mm	8 PCS
C		Lock Washer 5/16" x 12mm	8 PCS
D		Hex Nut 5/16"	8 PCS
E		Hex Wrench 5/16"	1 PC
F		Screw 8mm x 1"	8 PCS