



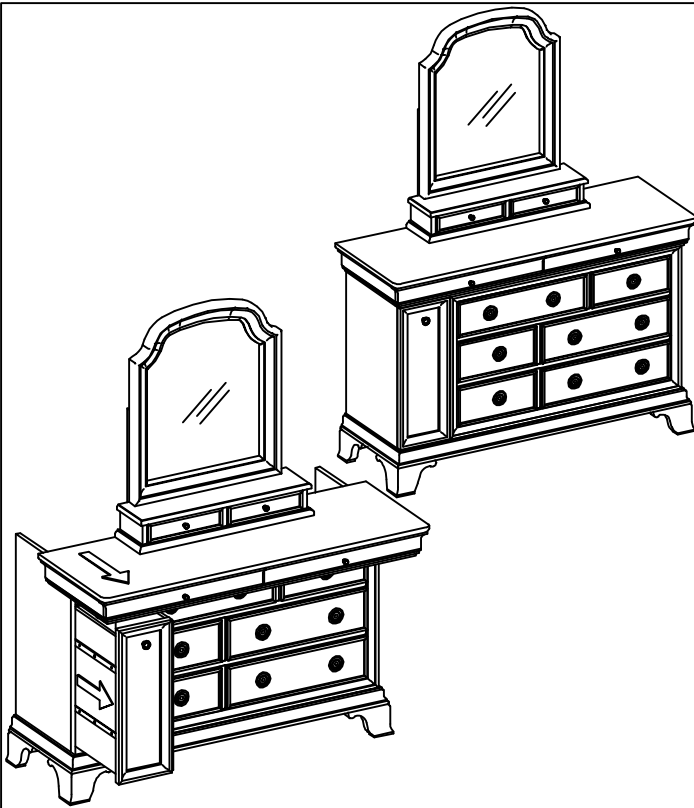
# ASSEMBLY INSTRUCTIONS

ITEM#: #27339&27323

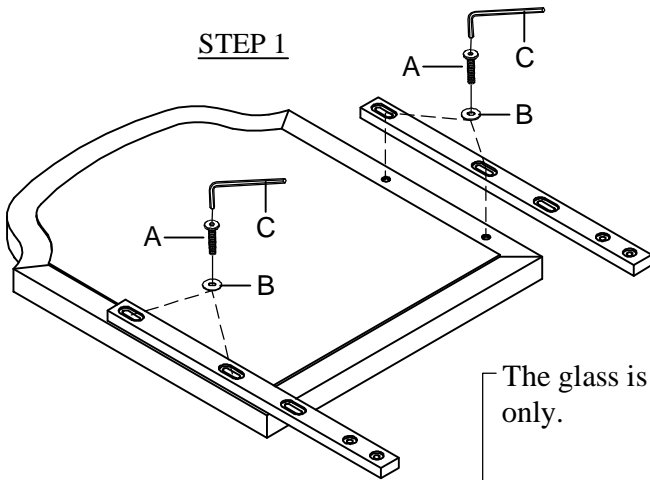
DESCRIPTION: VANITY CHEST & VANITY MIRROR

Part Lists			
NO.	Description	Sketch	Q'ty
1	CHEST		1PC
2	MIRROR		1PC
3	VANITY BOX		1PC
4	BRACKET		2PCS

Hardware Lists			
NO.	Description	Sketch	Q'ty
A	JCBC SCREW M6*35		10PCS
B	FLAT WASHER M6*19		10PCS
C	ALLEN KEY M4		1PC

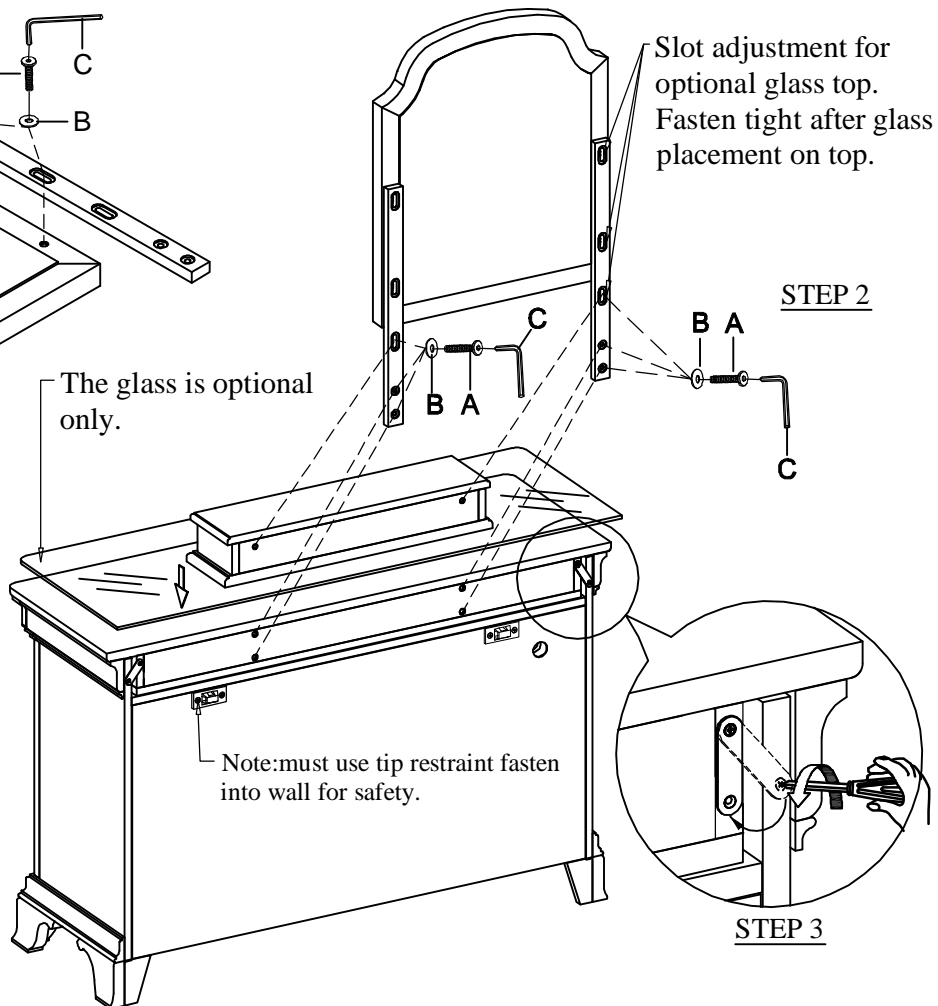


## STEP 1



Slot adjustment for optional glass top. Fasten tight after glass placement on top.

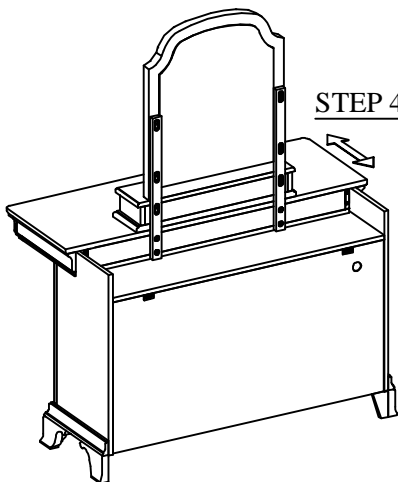
## STEP 2



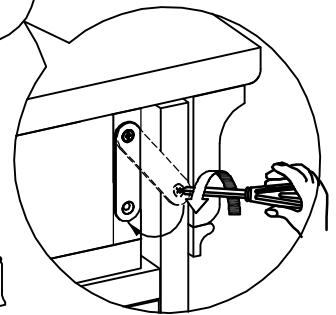
The glass is optional only.

Note: must use tip restraint fasten into wall for safety.

## STEP 4



## STEP 3



MADE IN VIET NAM