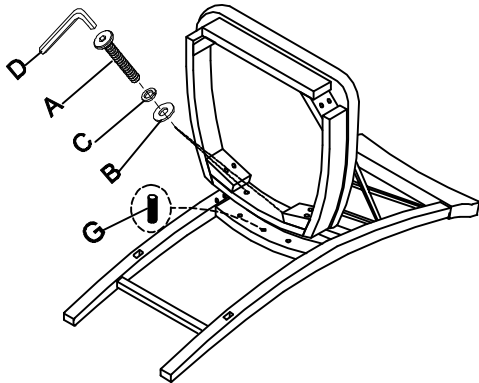


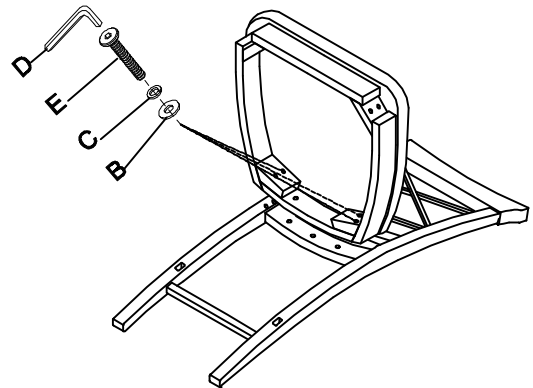
Hardware Lists

NO.	Description	Sketch	Q'ty
A	JCBC SCREW M8*38		2PCS
B	FLAT WASHER M8*19		10PCS
C	S.P WASHER M8		10PCS
D	ALLEN KEY M4		1PC
E	JCBC SCREW M8*70		4PCS
F	JCBC SCREW M8*51		4PCS
G	Ø8*30mmL Wood Dowel		2PCS
H	Screw		6PCS

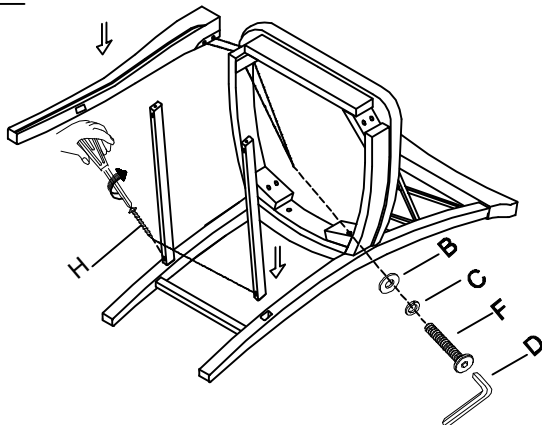
STEP 1



STEP 2



STEP 3



STEP 4

