

ASSEMBLY INSTRUCTIONS

ITEM#: 17478

COCHRANE

"A Division of CRD Industries Ltd "




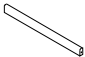
Read instruction carefully prior to assembly .

Thank you for purchasing this quality product. Check carefully for small parts which may have come loose during shipment.








Remove all components from pack and place table top upside down on soft surface such as carpet or cloth to prevent scratching the finish . Identify and count all parts as specified below.

Do not tighten bolts until assembly is complete

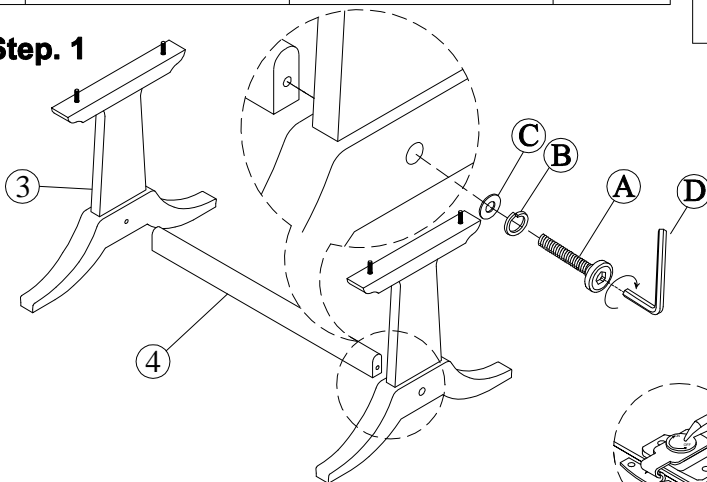
"PART LISTS"

STT	DESC	OUTLOOK	Q' TY
1	TABLE TOP		1 PC
2	TABLE LEAF		1 PC
3	LEGS		2 PCS
4	STRETCHER		1 PC

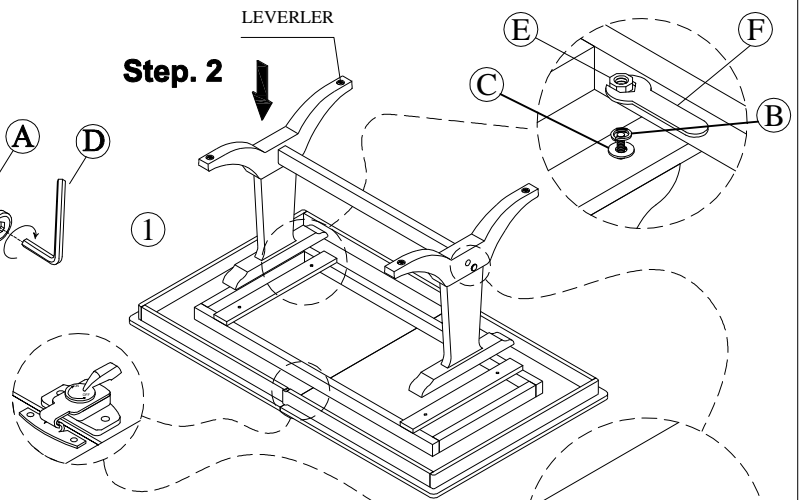
"HARDWARE LISTS"

STT	DESC	SIZE	Q' TY
A		BOLT (5/16" x 3 1/2")	2 PCS
B		LOCK WASHER (Ø 5/16")	6 PCS
C		FLAT WASHER (Ø 5/16")	6 PCS
D		ALLEN KEY (1/8")	1 PC
E		NUTS (5/16")	4 PCS
F		SPANNER	1 PC
G		PLASTIC BUTTON	2 PCS

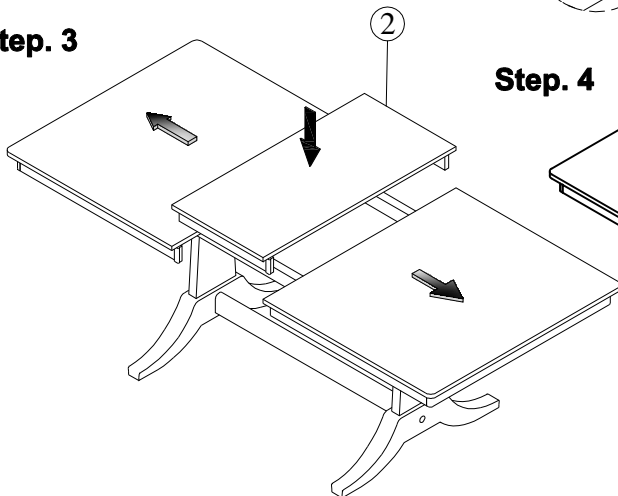
Step. 1



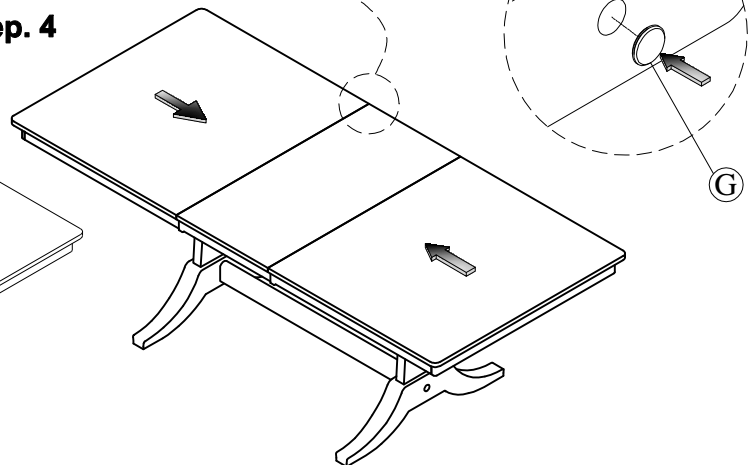
Step. 2



Step. 3



Step. 4



Cleaning instructions: Clean using soft cloth

Made in Vietnam