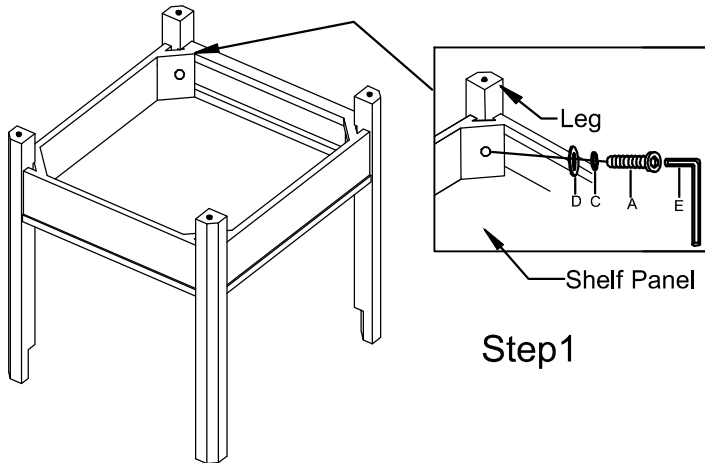




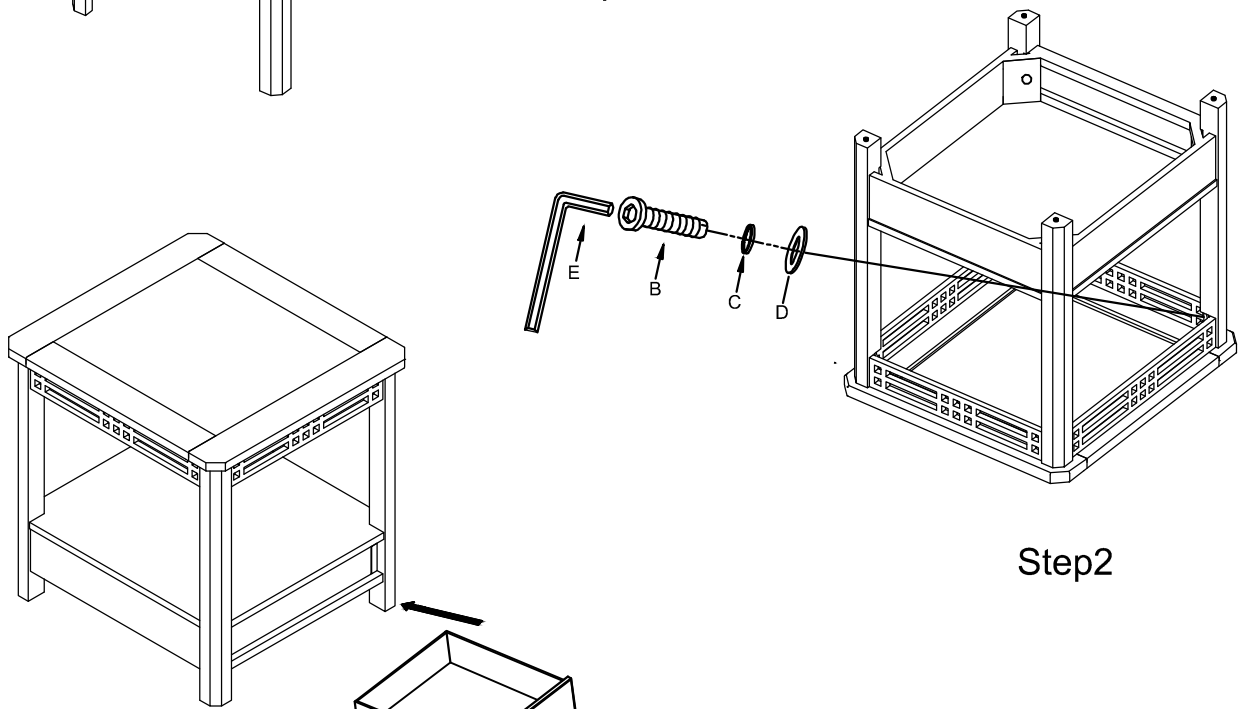
ASSEMBLY INSTRUCTION

ITEM NO: 2208-22

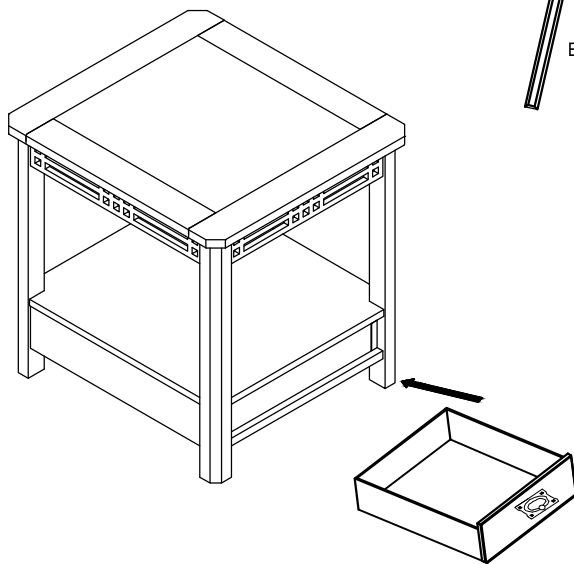
RECT END TABLE



Step1



Step2



Step3

**DO NOT TIGHTEN SCREWS
UNTIL COMPLETELY ASSEMBLED**

Item	Sketch	Description	Qty
A		Bolt $\Phi 1/4'' * 1-3/4''$	4pcs
B		Bolt $\Phi 1/4'' * 1''$	4pcs
C		Lock Washer $\Phi 1/4''$	8pcs
D		Flat Washer $\Phi 1/4'' * 16\text{mm}$	8pcs
E		Allen Wrench $\Phi 1/4''$	1pcs