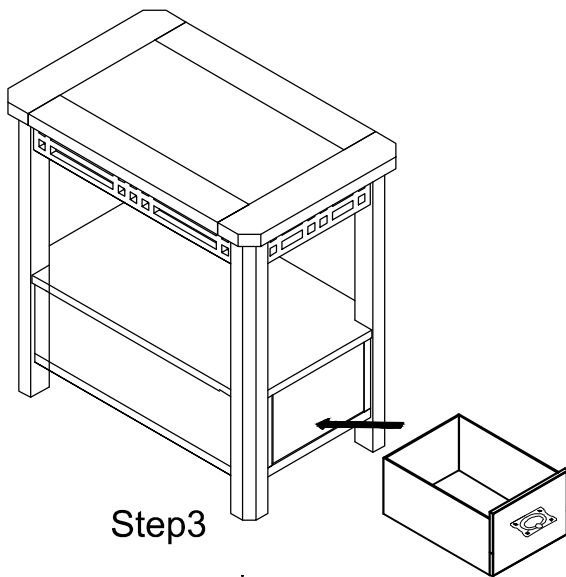
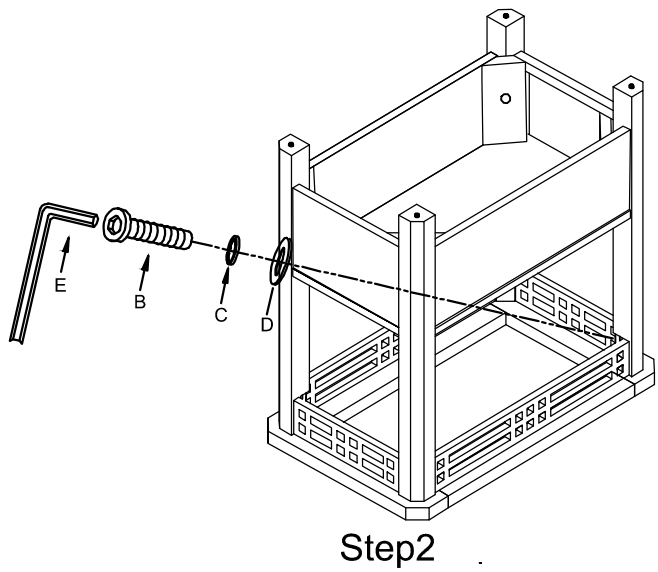
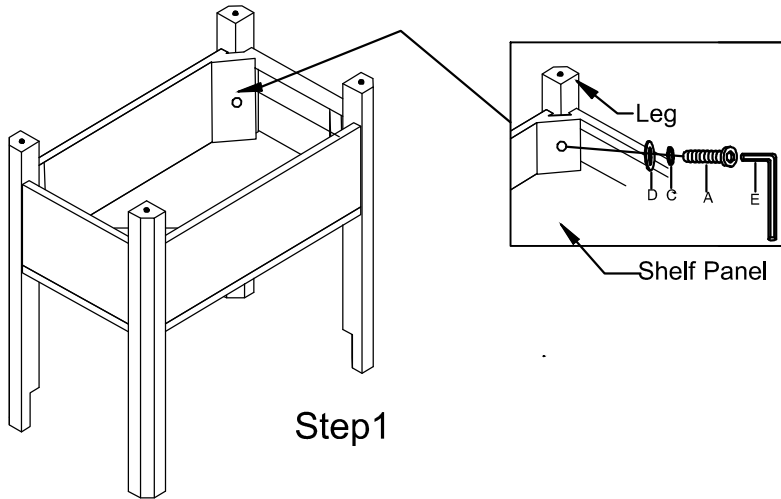




# ASSEMBLY INSTRUCTION

ITEM NO: 2208-23  
CHAIRSIDE TABLE



**DO NOT TIGHTEN SCREWS  
UNTIL COMPLETELY ASSEMBLED**

Item	Sketch	Description	Qty
A		Boit $\Phi 1/4'' * 1-3/4''$	4pcs
B		Boit $\Phi 1/4'' * 1''$	4pcs
C		Lock Washer $\Phi 1/4''$	8pcs
D		Flat Washer $\Phi 1/4'' * 16\text{mm}$	8pcs
E		Allen Wrench $\Phi 1/4''$	<b>1PC</b>