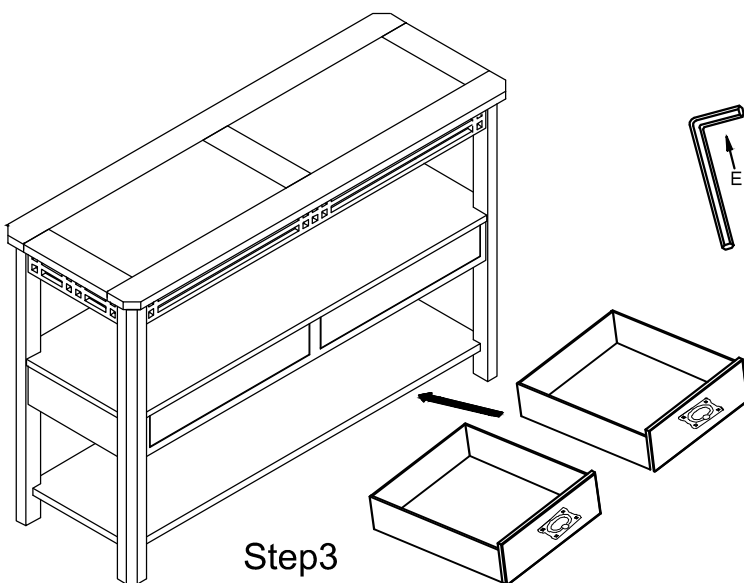
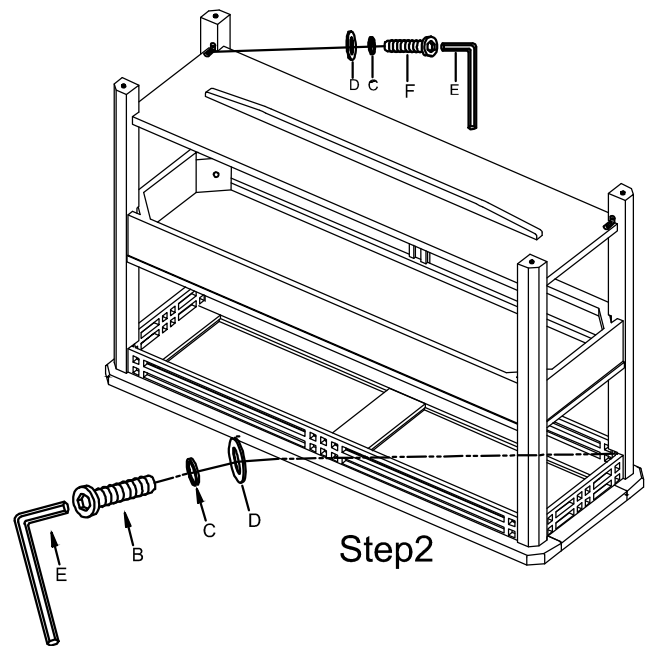
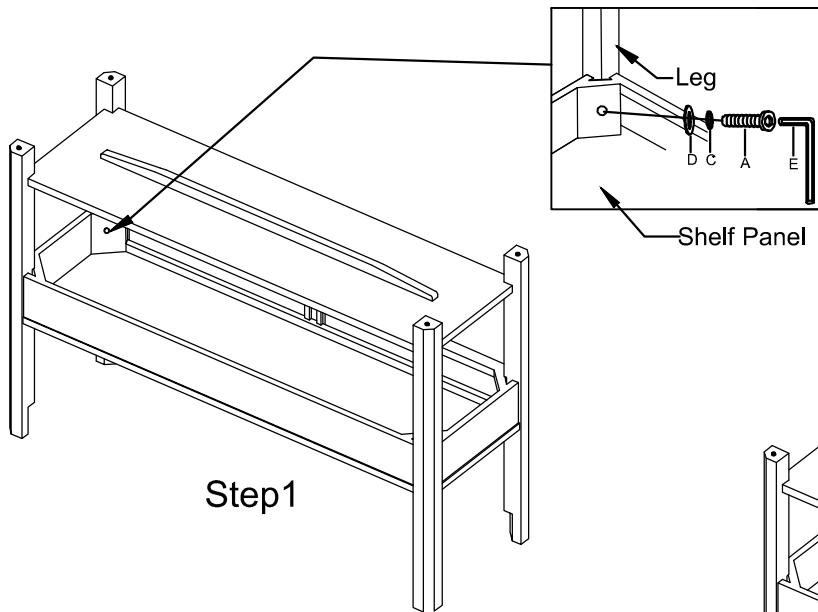




ASSEMBLY INSTRUCTION

ITEM NO: 2208-50

SOFA / MEDIA TABLE



**DO NOT TIGHTEN SCREWS
UNTIL COMPLETELY ASSEMBLED**

Item	Sketch	Description	Qty
A		Boit $\Phi 1/4" * 1-3/4"$	4pcs
B		Boit $\Phi 1/4" * 1"$	4pcs
C		Lock Washer $\Phi 1/4"$	12pcs
D		Flat Washer $\Phi 1/4" * 16mm$	12pcs
E		Allen Wrench $\Phi 1/4"$	1pc
F		Boit $\Phi 1/4" * 1/2"$	4pcs
G		Hardware	1pc