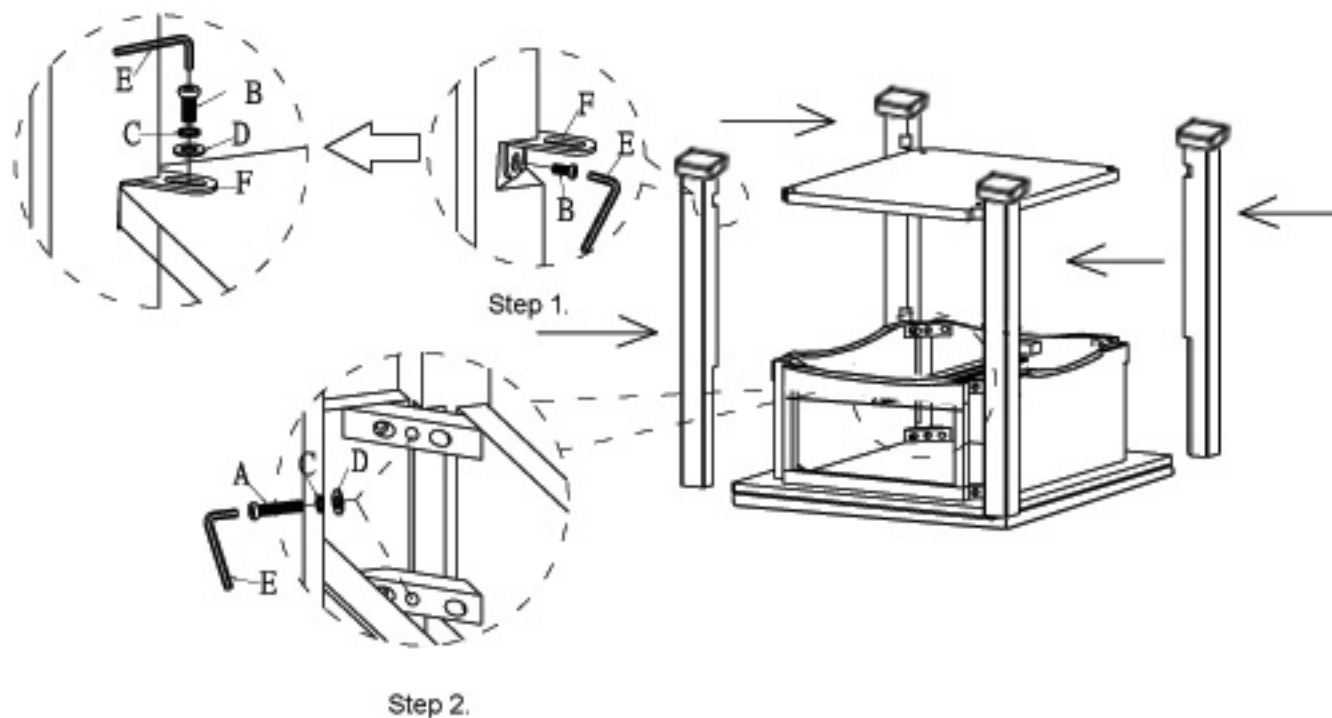


# ASSEMBLY INSTRUCTION

ITEM NO: #2605-22

RECT END TABLE



DO NOT TIGHTEN SCREWS  
UNTIL COMPLETELY ASSEMBLED

Item	Sketch	Description	Qty
A		Bolt $\varnothing 1/4 \times 2"$	8PCS
B		Bolt $\varnothing 1/4 \times 5/8"$	8PCS
C		Spring washer $\varnothing 1/4 \times 11\text{mm}$	12PCS
D		Flat washer $\varnothing 1/4 \times 16\text{mm}$	12PCS
E		Wrench 4mm	1PC
F		L-Metal bracket 42mm	4PCS