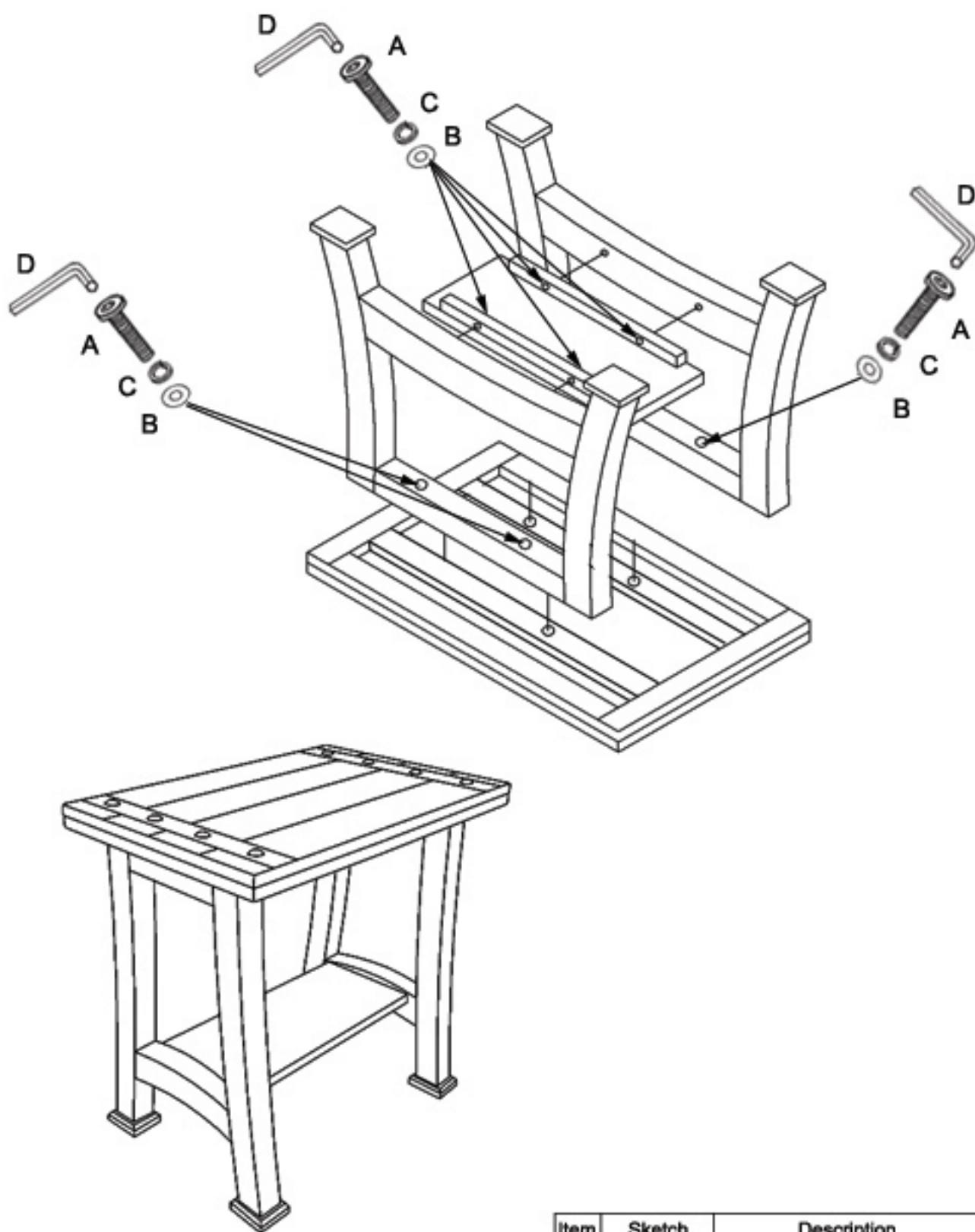






ASSEMBLY INSTRUCTION

ITEM NO: #2605-23

CHAIRSIDE TABLE



DO NOT TIGHTEN SCREWS
UNTIL COMPLETELY ASSEMBLED

Item	Sketch	Description	Qty
A		Bolt $\text{Ø}1/4 \times 2"$	8PCS
B		Flat washer $\text{Ø}1/4 \times 16\text{mm}$	8PCS
C		Spring washer $\text{Ø}1/4 \times 11\text{mm}$	8PCS
D		Wrench 4mm	1PC