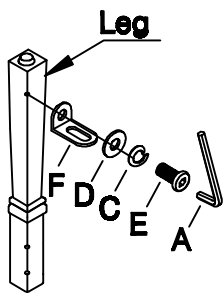




ASSEMBLY INSTRUCTION

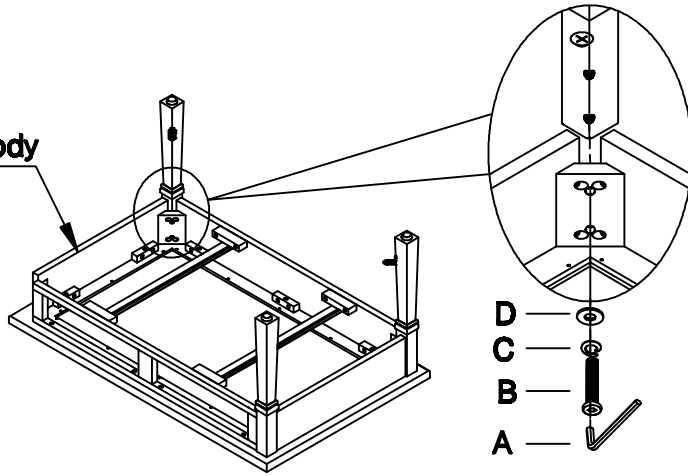
ITEM NO:2904-11
CONDO COCKTAIL

STEP 1



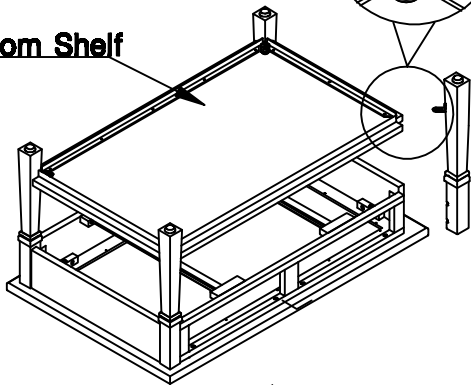
STEP 2

Table Top Body



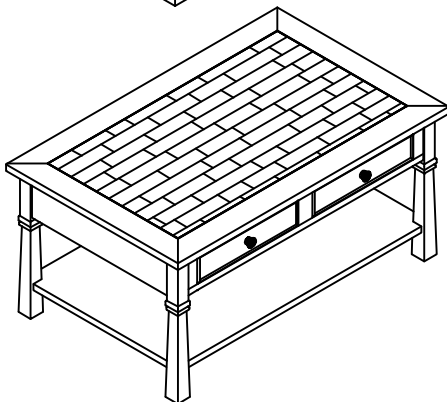
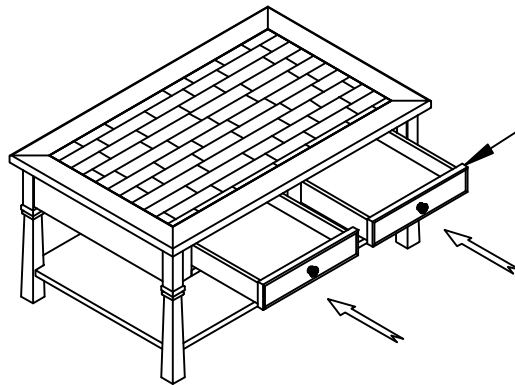
STEP 3

Bottom Shelf



STEP 4

Drawer



**DO NOT TIGHTEN SCREWS
UNTIL COMPLETELY ASSEMBLED**

Item	Sketch	Description	Qty
A		Allen Wrench 1/4"	1 PC
B		Bolt 1/4"x1-3/4"	8 PCS
C		Lock Washer 1/4"	16 PCS
D		Flat Washer 1/4"x16mm	16 PCS
E		Bolt 1/4"x5/8"	8 PCS
F		"L" Bracket	4 PCS