

Cochrane®

"A Division of CRD Industries Ltd"

ASSEMBLY INSTRUCTION

ITEM NO:3711-EKHB

KING HEADBOARD

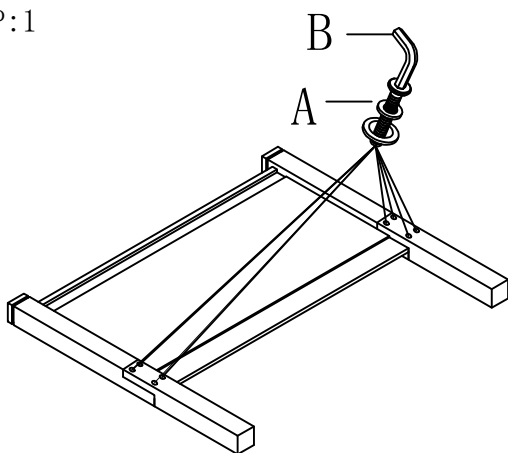
3711-EKFB

KING FOOTBOARD

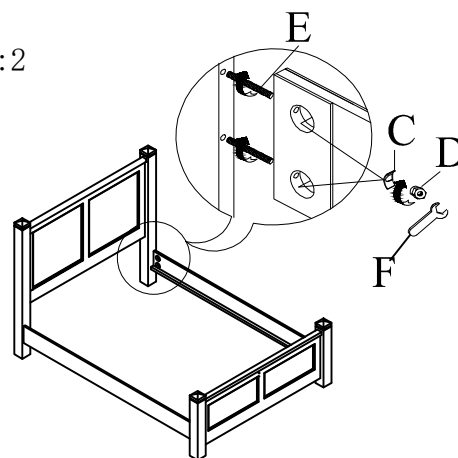
3710-QRL-EKRL

Q/K SIDE RAIL

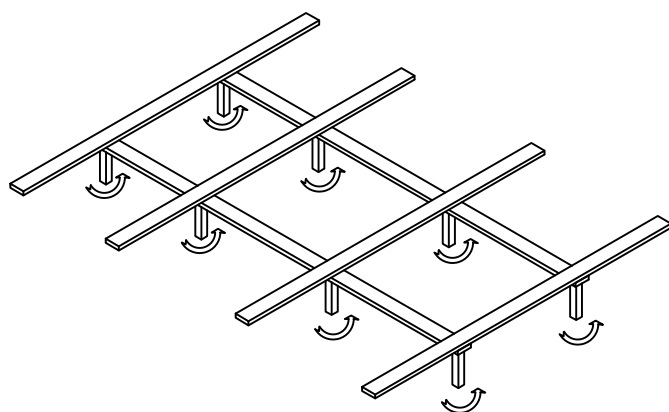
STEP:1



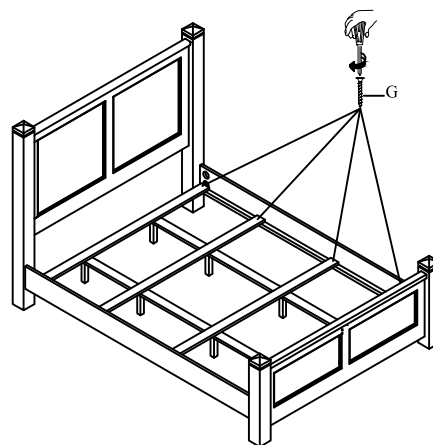
STEP:2



STEP:3



STEP:4



NOTE:WE HAVE LABELED EACH LEG AND EACH CORNER BLOCK ON FRAME WITH 1. 2. 3. 4. PLS ATTACH LEG ACCORDLINGLY

DO NOT TIGHTEN SCREWS
UNTIL COMPLETELY ASSEMBLED

Item	Sketch	Description	Qty
A		Ø5/16"x20 x 1-3/4" Allen bolt	8 PCS
		Ø5/16 Spring washer	8 PCS
		Ø5/16" Flat washer	8 PCS
B		Allen Key	1 PC
C		U Washer 5/16"	8 PCS
D		Hex Nut 5/16"	8 PCS
E		Thread Bolt 5/16" x 90mm	8 PCS
F		Hex Key	1 PC
G		Screw #8*30	8 PCS