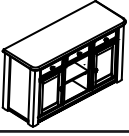

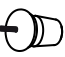

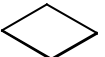
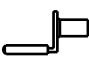


# Assembly Instruction

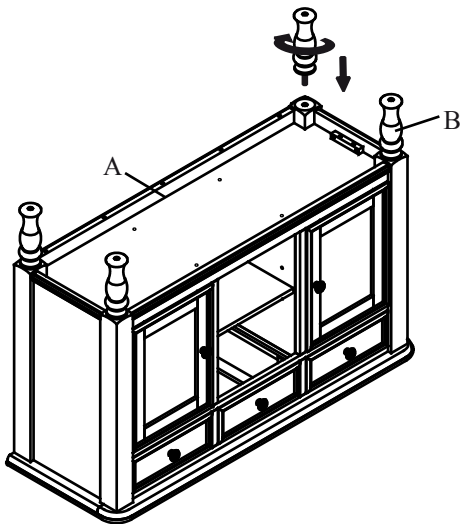
66650/67650

VENEER TOP SERVER

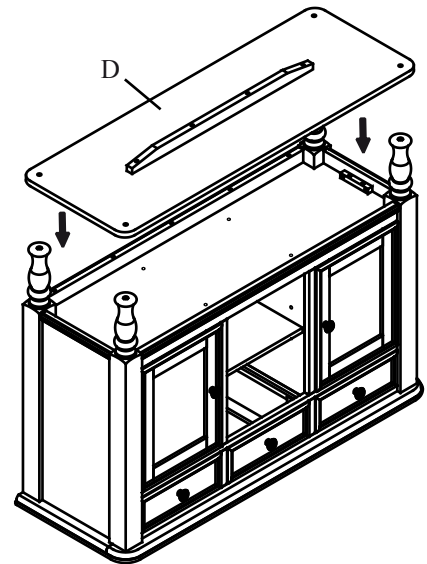
No	Parts List		Q'ty
A		Server	1 Pc
B		Leg	4 Pcs
C		Bunfoot	4 Pcs
D		Bottom Panel	1 Pc
E		Shelf Glass	2 Pcs

No	Hardware List		Q'ty
1		Shelf pin supporter	8 Pcs

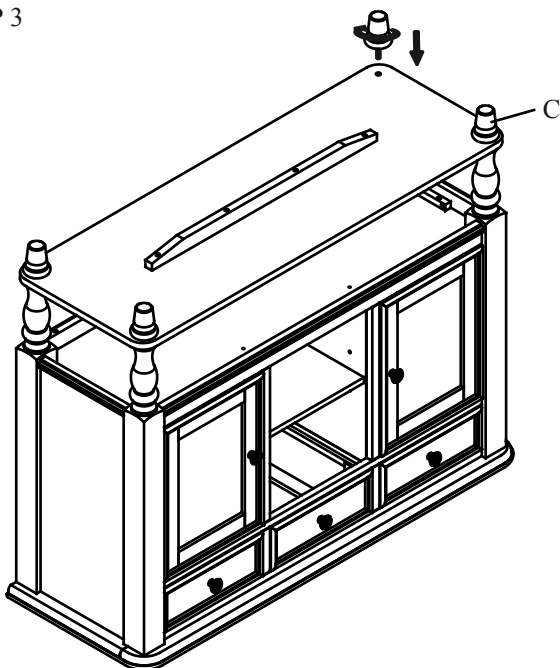
STEP 1



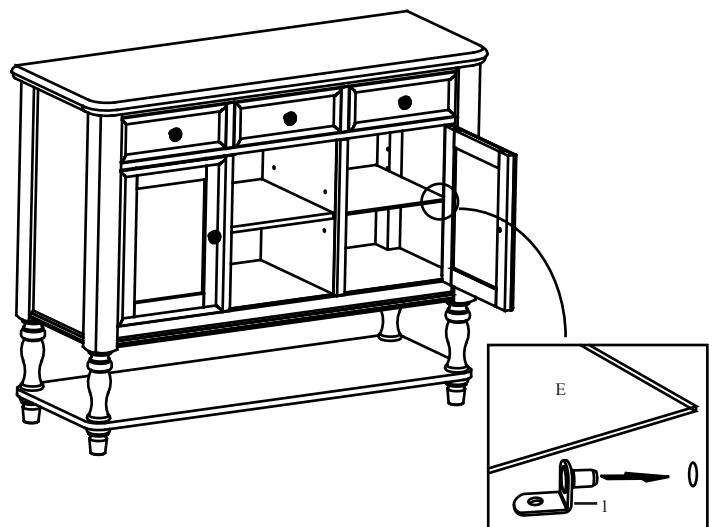
STEP 2



STEP 3



STEP 4



Note :  
Install the shelf supporter (1)  
into the pre-drilled holes.  
Install the Glass Shelf (E)  
as shown.