


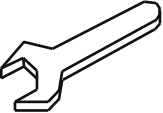


Assembly Instruction

25478 / 25078 / 25036 / 27036 / BC2B0036RE / BC2B0036RB

BEAVER CREEK 38X60X78 LEG TABLE

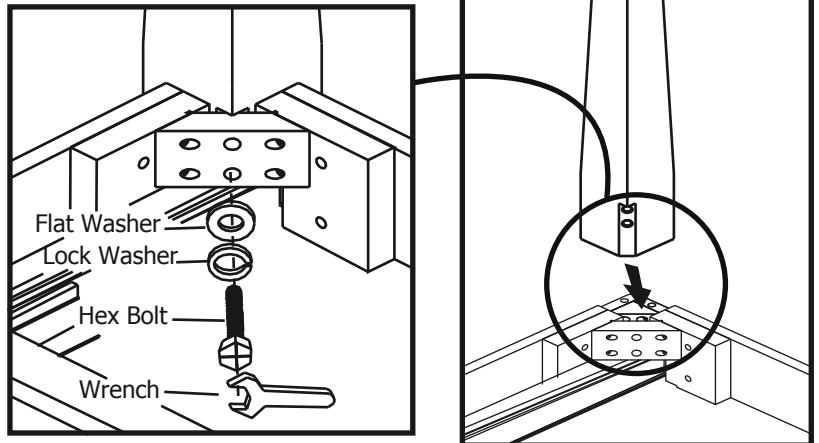
HARDWARE PART :

 Hex Bolt 8 pcs	 Lock Washer 8 pcs	 Flat Washer 8 pcs	 Wrench 1 pc
---	---	---	---

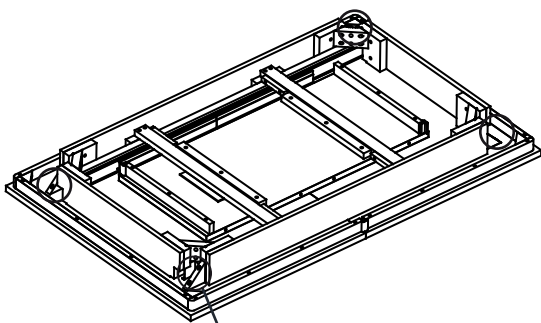
NOTE: THE UNIT SHOULD BE ASSEMBLED BY 2 OR MORE PEOPLE.

ASSEMBLY

- 1) Turn the Table Top upside down on a protective surface such as carpet or other soft material. Place the leg to corner of Apron, then tighten the Flat Washer, Lock Washer and Hex Bolt using the Wrench provided. Repeat the same for the other legs. Set the Table upright on its legs.

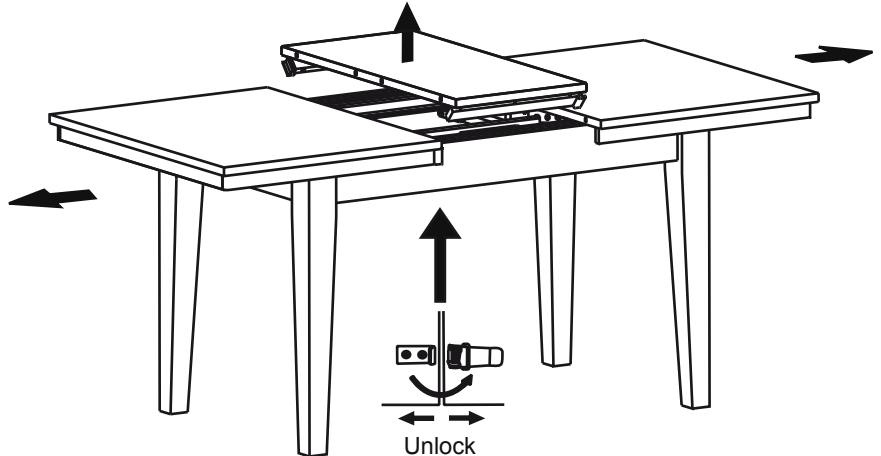


- 2) Remove All 4 Cleats.



Remove All 4 Cleats

- 3) Unlock the metal catches underneath the table and pull the table top wide open equally from both end. Remove the center leaf as shown.



- 4) Push table top from both ends to close. Lock the metal catches underneath the table.

