

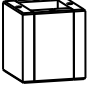

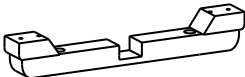
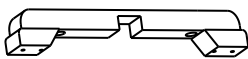
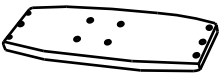













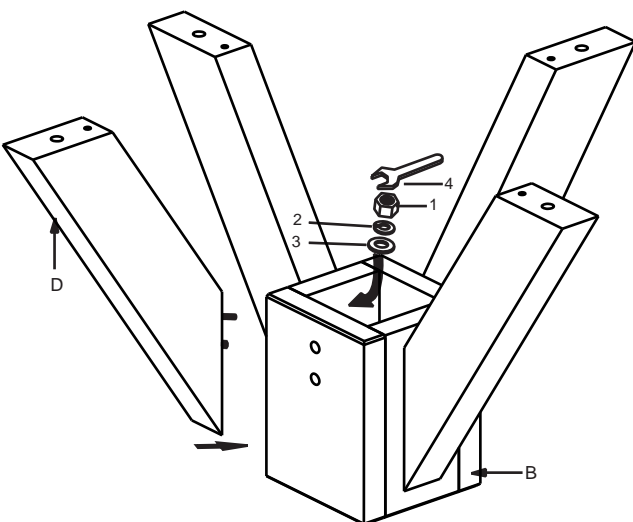
# Assembly Instruction

BC2T4257/BC2BX  
 OVAL S.T B'FLY EXT WITH HI/LO PEDESTAL TABLE

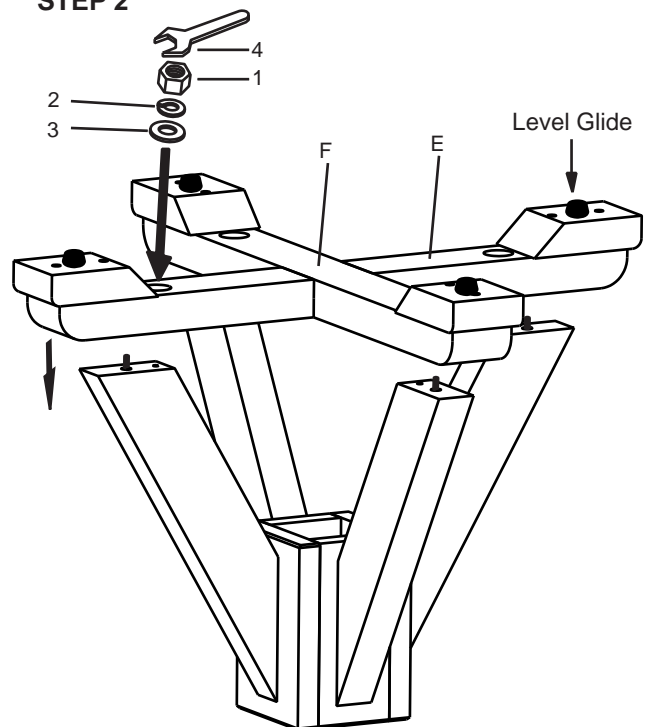
NO	Parts List		Q'TY
A		Table Top	1 PC
B		Pedestal Stand	1 PC
C		Extension pedestal stand gather height	1 PC
D		Pedestal Leg	4 PCS
E		Top Base Leg	1 PC
F		Bottom Base Leg	1 PC
G		Mounting Plate	1 PC
H		Side Panel	2 PCS

NO	Hardware List		Q'TY
1		Hex Nut	12 pcs
2		Lock Washer	12 pcs
3		Flat Washer	12 pcs
4		Wrench	1 pc
5		JCBC Bolt	8 pcs
6		(Small) Lock Washer	8 pcs
7		(Small) Flat Washer	8 pcs
8		Allen Key	1 pc
9		(A)-For Gather Height Table Only Long Thread Head Bolt	4 pcs
10		(B)-For Dining Height Table Only Short Thread Head Bolt	4 pcs

**ASSEMBLY :**  
**STEP 1**



**STEP 2**

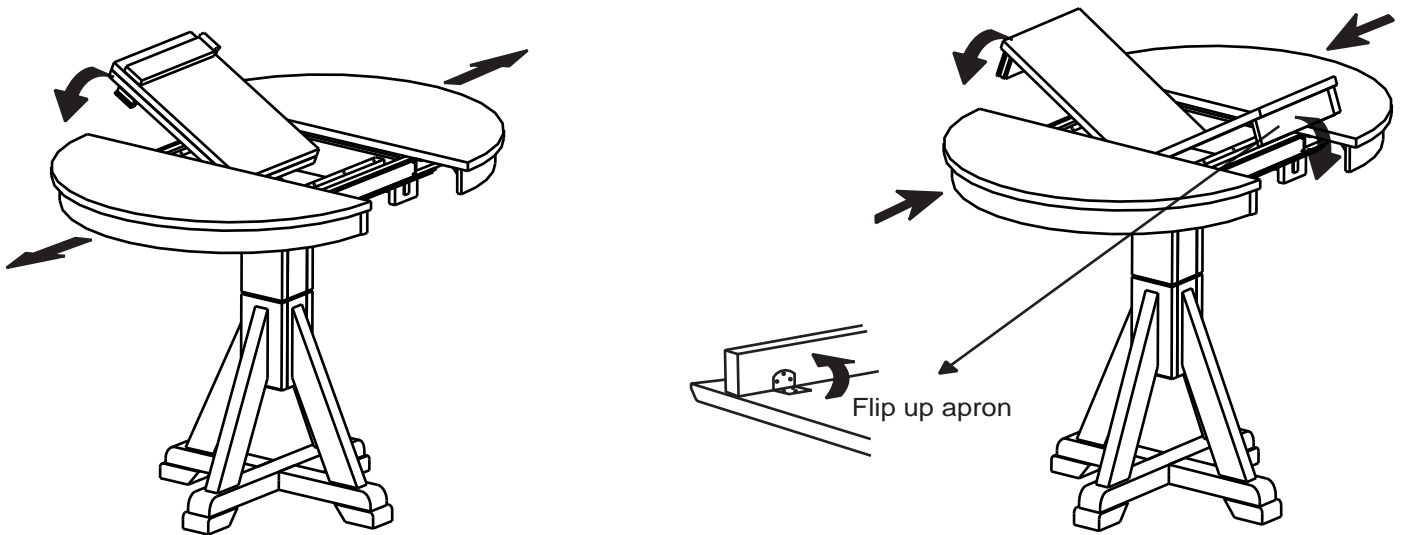




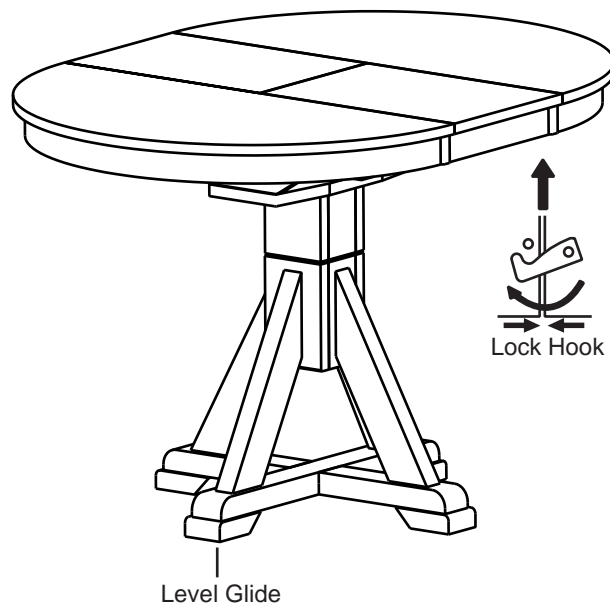
# Assembly Instruction

BC2T4257/BC2BX  
OVAL S.T B'FLY EXT WITH HI/LO PEDESTAL TABLE

## STEP 6



## STEP 7



# Assembly Instruction

BC2T4257/BC2BX  
OVAL S.T B'FLY EXT WITH HI/LO PEDESTAL TABLE

## TO STORE THE CENTER LEAF WHEN NOT IN USE

Unlock the hooks underneath the table and pull the table top wide open equally from both ends. Flip down the apron and fold the center leaf to store within the compartment. Push table top from both ends to close. Lock the hooks underneath the table.

