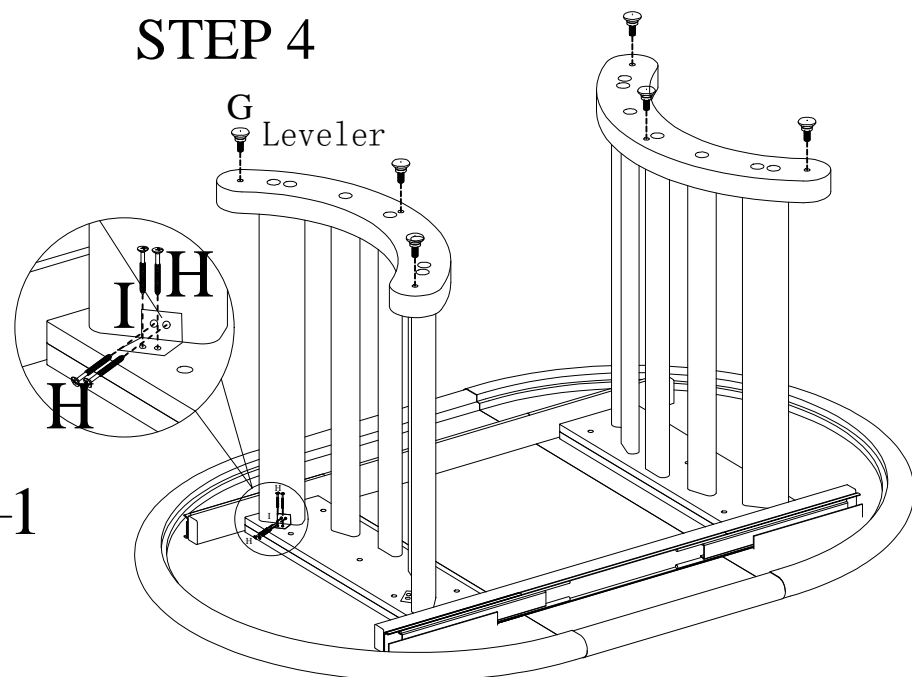
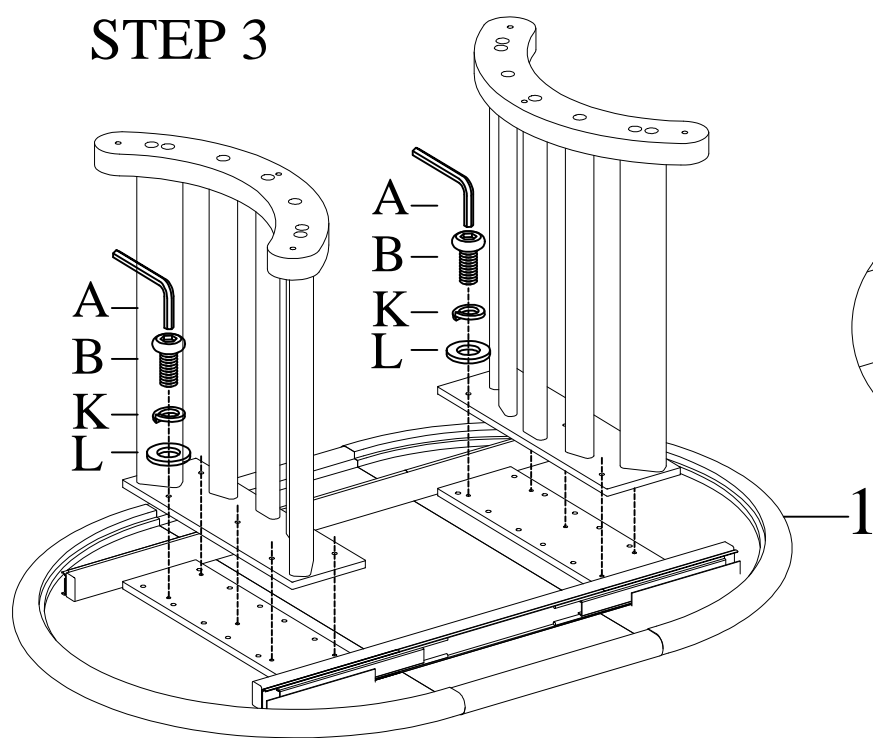
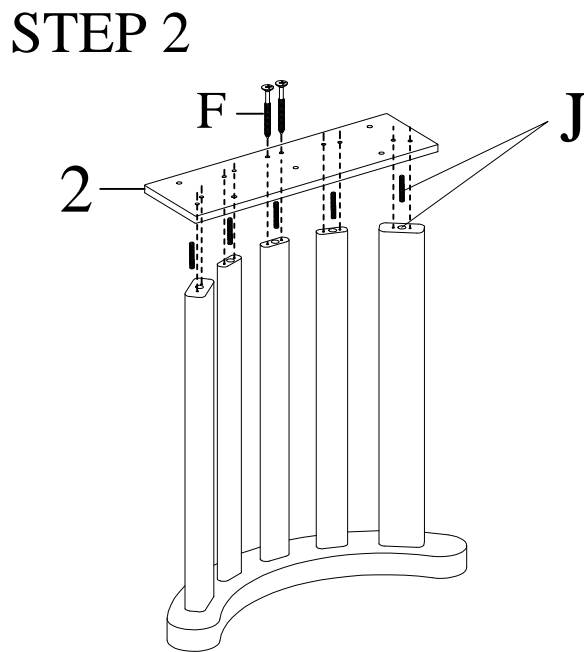
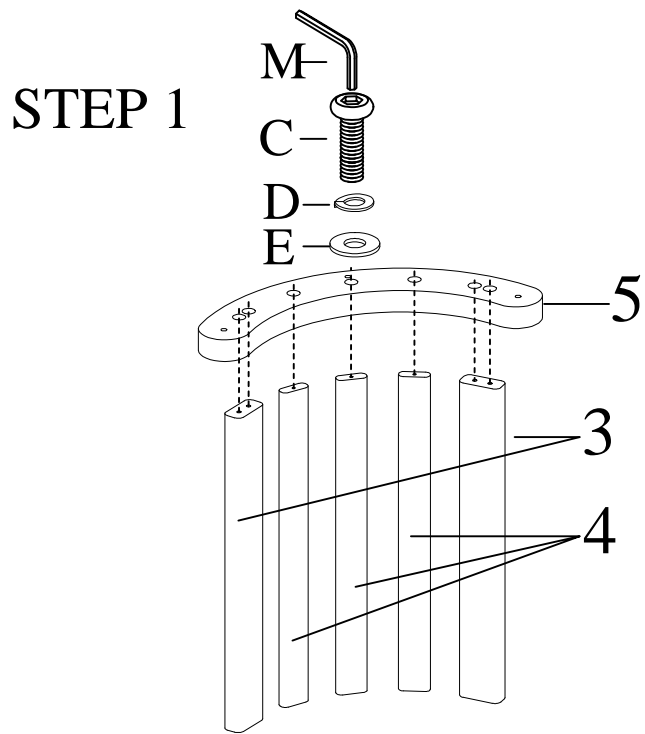
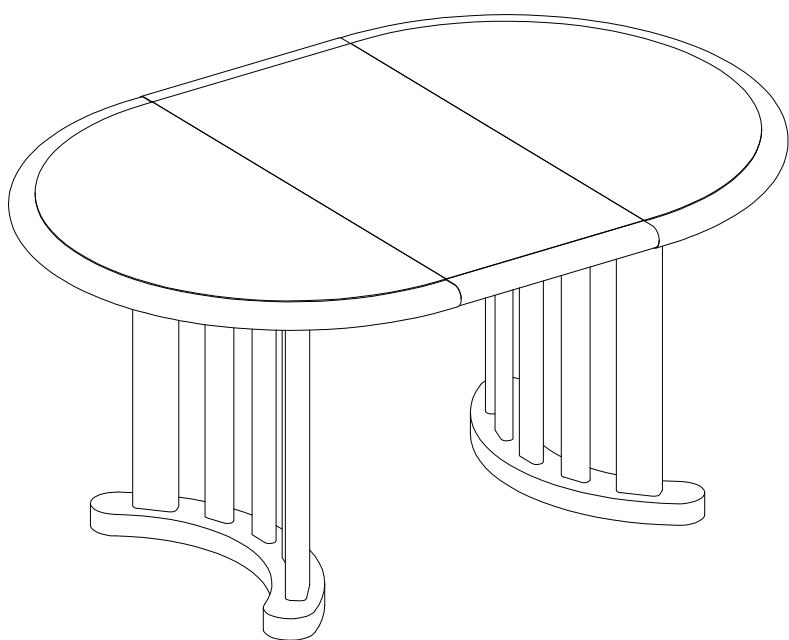


# TABLE ASSEMBLY

## CD717 with C77-87 ped base



**STEP 5**



### LIST OF HARDWARE AND PARTS:

NO.		Description		Q'ty
A		Allen key	<b>M4</b>	1
B		Bolt (table top plate to top)	<b>Ø1/4" * 1 1/4"</b>	10
C		Bolt (base bottom)	<b>Ø3/8" * 2"</b>	14
D		Spring washer	<b>Ø3/8"</b>	14
E		Washer	<b>Ø3/8"</b>	14
F		Screws (into top plate & uprights)	<b>#8 x 1 /16"</b>	20
G		Leveler	<b>#1/4"</b>	6
H		screws to metal angle bracket	<b>#8 x 7/8"</b>	16
I		metal angle bracket	<b>1" x 1" x 1/8"</b>	4
J		Wood Dowels	<b>1-1/2" x 3/8"</b>	10
K		Spring washer	<b>Ø1/4"</b>	10
L		Washer	<b>Ø1/4"</b>	10
M		Allen key	<b>Ø3/8"</b>	1
1		<b>Table Top</b>		1
2		Plywood plate		2
3		Big column		4
4		Small column		6
5		<b>Wood base</b>		2