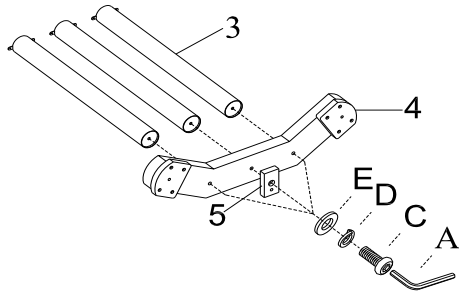
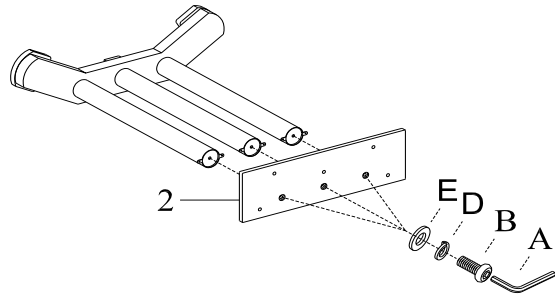


TABLE ASSEMBLY ML817 w. MB435 ped base

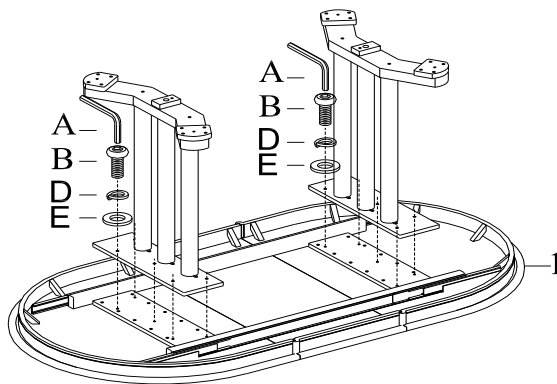
STEP 1



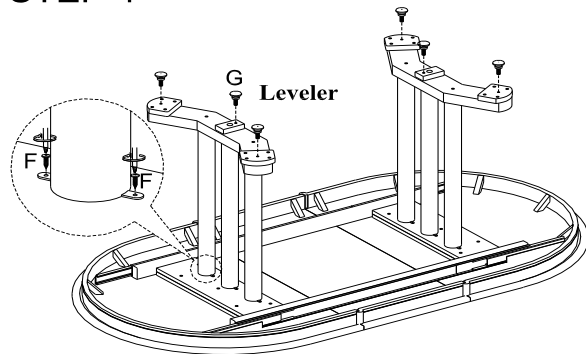
STEP 2



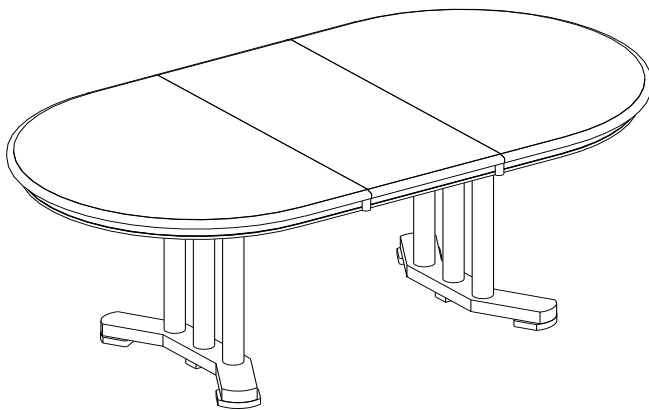
STEP 3



STEP 4



STEP 5



LIST OF HARDWARE AND PARTS:

NO.	Description			Q'ty
A		Allen wrench	4mm	1
B		Bolt	Ø5/16"*1.25"	16
C		Bolt	Ø5/16"*3"	6
D		Spring washer	Ø5/16"	22
E		Washer	Ø5/16"	22
F		Screws	#8x3/4"	12
G		Leveler	#1/4"	6
1	Table Top (ML817)			1
2	Plywood plate (MB435)			2
3	Tube column (MB435)			6
4	Metal base (MB435)			2
5	Wood block of base (MB435)			2