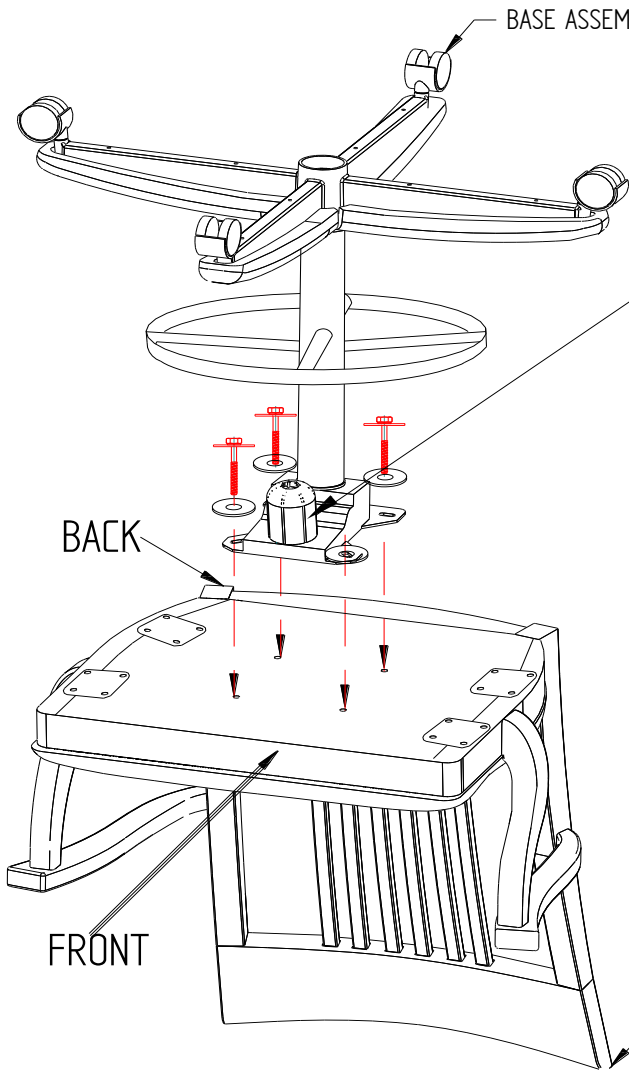
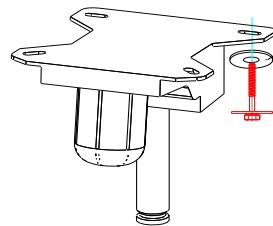


GENERIC CHAIR ASSEMBLY FOR SWIVEL TILT STOOL-26"



— SWIVEL KNOB IS PRE-SET AT 180lbs.
THE RANGE GOES FROM 90lbs TO 300lbs



4 washers & bolts
already screwed into
seat bucket in bottom

place KNOB to FRONT

TO ADJUST TILT:

turn spring knob to compress or loosen
spring as desired for best comfort level.
If a slight noise develops, turn the knob
lightly either way to eliminate it.

